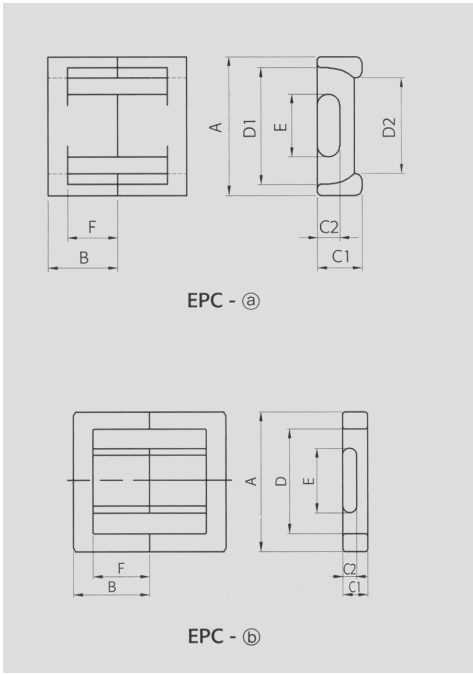
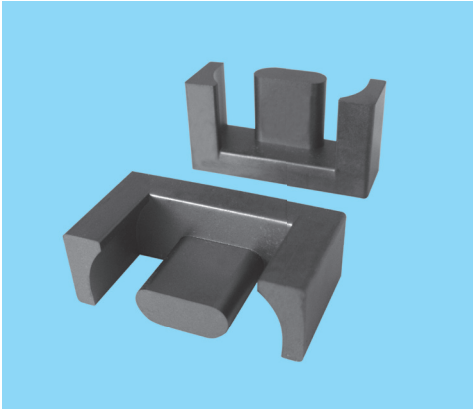


EPC CORES



Note: 1)Core Loss
 -Unit:Watt max.
 -Measuring conditions
 SR-4P,SR-5P:100kHz,200mT,at 100°C
 SR-2P,SR-6P:100kHz,200mT,at 80°C

2)AL value
 -Unit:nH/N²
 -Measuring conditions:1kHz,0.25V/25°C
 -Tolerance: ± 25%

Part No.		EPC1313	EPC1715N	EPC1717	EPC1720	EPC1826W	
Type		EPC-(a)	EPC-(a)	EPC-(a)	EPC-(a)	EPC-(a)	
尺寸 Dimensions in mm	A	13.30±0.30	17.60±0.40	17.60±0.40	16.85±0.35	18.50±0.30	
	B	6.60±0.20	7.60±0.20	8.55±0.20	9.85±0.15	13.20±0.15	
	C1	4.60±0.15	6.00±0.15	6.00±0.15	4.00±0.20	4.25±0.15	
	C2	2.05±0.10	2.80±0.10	2.80±0.10	2.60±0.15	2.75±0.15	
	D1	10.50min.	14.30min.	14.30min.	13.80±0.30	13.10min.	
	D2	8.30min.	12.00±0.50	12.00±0.50	12.40±0.30	10.70min.	
	E	5.60±0.15	7.70±0.15	7.70±0.15	8.20±0.20	9.10±0.15	
	F	4.50±0.20	5.40±0.20	6.05±0.20	7.35±0.15	10.30±0.15	
磁芯参数 Core Set Parameters	C1(mm ⁻¹)	2.460	1.650	1.760	2.563	2.630	
	Le(mm)	30.6	37.6	40.2	41.7	62.0	
	Ae(mm ²)	12.5	22.8	22.8	16.3	23.6	
	Ve(mm ³)	382	857	917	679	1460	
	Ac(mm ²)	8.7	19.9	19.9	13.8	15.8	
	Aw(mm ²)	23.0	38.0	41.1	41.2	44.3	
	W(g/set)	2.0	4.3	4.5	3.5	6.8	
电气特性 Electrical Characteristics ⁽¹⁾⁽²⁾	AL value	SR-4P	870	1300	1200	830	1050
		SR-2P	1050	1525	1400	1000	1100
		SR-5P	900	1400	1300	900	1100
		SR-6P	1160	1730	1600	1110	1230
	Core loss	SR-4P	0.23	0.51	0.55	0.41	0.88
		SR-2P	0.23	0.49	0.52	0.39	0.88
		SR-5P	0.21	0.47	0.50	0.37	0.80
		SR-6P	0.20	0.45	0.49	0.36	0.77



SHIRUI

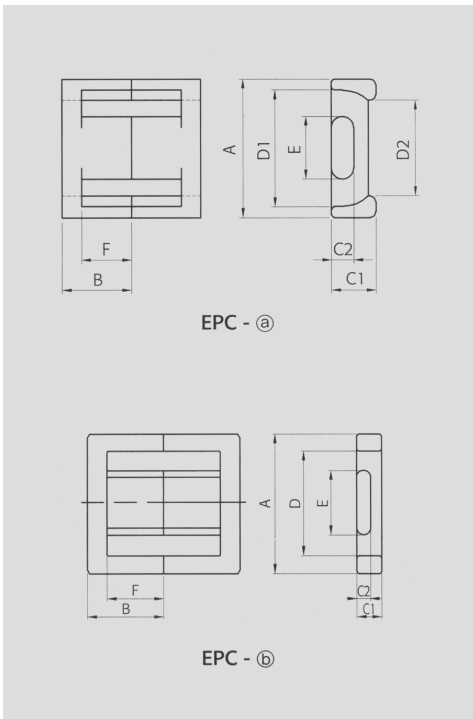
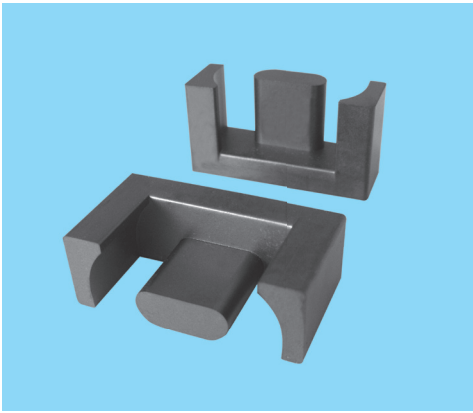
HEFEI SHIRUI ELECTRONIC TECHNOLOGY CO.,LTD

sales@shiruitech.com
 www.shiruitech.com

Part No.		EPC1920N	EPC1920	EPC2228	EPC2525	EPC2732	EPC3035	EPC4643	EPC4649	
Type		EPC-@	EPC-@	EPC-@	EPC-@	EPC-@	EPC-@	EPC-@	EPC-@	
尺寸 Dimensions in mm	A	19.60±0.50	19.10±0.50	21.90±0.30	25.10±0.50	27.10±0.50	30.10±0.50	46.00±0.70	46.00±0.70	
	B	9.75±0.20	9.75±0.20	14.20±0.20	12.50±0.20	16.00±0.20	17.50±0.20	21.90±0.20	24.70±0.20	
	C1	6.00±0.20	6.00±0.15	7.30±0.20	8.00±0.20	8.00±0.20	8.00±0.20	19.50±0.30	19.50±0.30	
	C2	2.40±0.15	2.50±0.10	4.15±0.15	4.00±0.10	4.00±0.10	4.00±0.10	12.00±0.25	12.00±0.25	
	D1	16.40±0.50	15.80min.	16.90±0.20	20.65min.	21.60min.	23.60min.	36.40±0.60	36.40±0.60	
	D2	13.40±0.50	13.60±0.50	14.80min.	17.50±0.50	19.00±0.50	20.00±0.50	29.00±0.60	29.00±0.60	
	E	8.30±0.20	8.50±0.15	9.50±0.15	11.50±0.20	13.00±0.30	15.00±0.30	21.00±0.30	21.00±0.30	
	F	7.25±0.20	7.25±0.20	11.55±0.15	9.00±0.30	12.00±0.30	13.00±0.30	15.50±0.25	18.30±0.25	
磁芯参数 Core Set Parameters	C1(mm ⁻¹)	1.890	2.030	1.380	1.270	1.426	1.320	0.441	0.486	
	Le(mm)	43.3	46.1	50.8	59.2	70.1	81.6	100	110.4	
	Ae(mm ²)	23.0	22.7	36.7	46.4	49.1	61.0	227	227	
	Ve(mm ³)	996	1047	1864	2747	3441	5035	22700	25060	
	Ac(mm ²)	19.3	20.0	39.0	42.6	48.6	56.6	221	221	
	Aw(mm ²)	59.5	54.4	83.0	90.3	108.0	117.0	238.7	281.8	
	W(g/set)	5.6	5.2	12	13	18	23	122	134	
电气特性 Electrical Characteristics ⁽¹⁾⁽²⁾	AL value	SR-4P	1200	1090	1500	1600	1720	1640	4800	4700
		SR-2P	1400	1200	1800	1900	1825	19050	5500	5575
		SR-5P	1300	1130	1600	1700	1600	1700	5000	4800
		SR-6P	1600	1300	2030	2130	2050	2190	6400	6270
	Core loss	SR-4P	0.60	0.63	1.12	1.65	2.28	3.02	13.62	15.04
		SR-2P	0.60	0.66	1.12	1.65	2.18	2.90	13.12	14.04
		SR-5P	0.55	0.58	1.03	1.51	2.09	2.77	12.49	13.78
		SR-6P	0.53	0.55	0.99	1.46	2.02	2.67	12.03	13.28



EPC CORES



Note: 1)Core Loss
 -Unit:Watt max.
 -Measuring conditions
 SR-4P,SR-5P:100kHz,200mT,at 100°C
 SR-2P,SR-6P:100kHz,200mT,at 80°C

2)AL value
 -Unit:nH/N²
 -Measuring conditions:1kHz,0.25V/25°C
 -Tolerance: ± 25%

Part No.		EPC5050	EPC5055			
Type		EPC-(b)	EPC-(b)			
尺寸 Dimensions in mm	A	50.50 ± 0.70	50.50 ± 0.70			
	B	25.60 ± 0.30	27.60 ± 0.30			
	C1	9.00 ± 0.30	9.00 ± 0.30			
	C2	5.00 ± 0.10	5.00 ± 0.10			
	D1	38.00 ± 0.70	38.00 ± 0.70			
	D2					
	E	23.50 ± 0.40	23.50 ± 0.40			
	F	18.50 ± 0.30	20.50 ± 0.30			
磁芯参数 Core Set Parameters	C1(mm ⁻¹)	0.995	0.995			
	Le(mm)	113.7	114.0			
	Ae(mm ²)	114.3	114.3			
	Ve(mm ³)	12990	13030			
	Ac(mm ²)	105	105			
	Aw(mm ²)	268.3	297			
	W(g/set)	70	78			
电气特性 Electrical Characteristics ⁽¹⁾⁽²⁾	AL value	SR-4P	2400	2100		
		SR-2P	2900	2550		
		SR-5P	2500	2200		
	Core loss	SR-6P	3200	2800		
		SR-4P	7.79	8.50		
		SR-2P	7.44	8.10		
		SR-5P	7.14	7.79		
		SR-6P	6.88	7.51		

