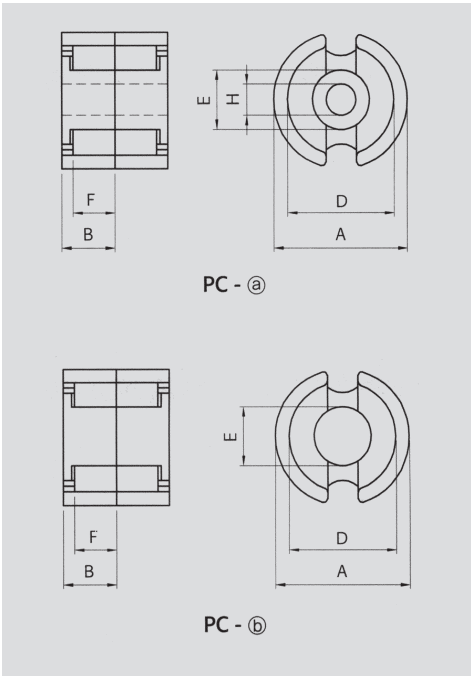


PC CORES



Note: 1)Core Loss
 -Unit:Watt max.
 -Measuring conditions
 SR-4P,SR-5P:100kHz,200mT,at 100°C
 SR-2P,SR-6P:100kHz,200mT,at 80°C

2)AL value
 -Unit:nH/N²
 -Measuring conditions:1kHz,0.25V25°C
 -Tolerance: ± 25%

Part No.		PC0506	PC0909	PC1408H	
Type		PC- ⓑ	PC- ⓑ	PC- ⓐ	
尺寸 Dimensions in mm	A	5.35 ± 0.15	8.70 ± 0.20	14.00 ± 0.25	
	B	3.20 ± 0.10	4.50 ± 0.10	4.18 ± 0.10	
	C	3.05 ± 0.15	4.15 ^{+0.00} _{-0.25}	9.40ref.	
	D	4.25 ± 0.15	7.20 ± 0.20	11.85 ± 0.25	
	E	1.90 ± 0.10	2.70 ± 0.10	5.85 ± 0.45	
	F	2.50 ± 0.10	3.40 ± 0.10	2.90 ± 0.15	
	H			3.10 ± 0.15	
磁芯参数 Core Set Parameters	C1(mm ⁻¹)	3.600	2.427	0.790	
	Le(mm)	11.5	16.2	19.8	
	Ae(mm ²)	3.2	6.7	25.1	
	Ve(mm ³)	37	110	495	
	Ac(mm ²)	2.8	5.7	19.8	
	Aw(mm ²)	5.9	15.3	17.1	
	W(g/set)	0.3	1.2	3.3	
电气特性 Electrical Characteristics ⁽¹⁾⁽²⁾	AL value	SR-4P	600	800	2350
		SR-2P	700	900	2840
		SR-5P	580	800	2350
	Core loss	SR-6P	800	1070	3140
		SR-4P	0.02	0.11	0.30
		SR-2P	0.02	0.11	0.30
		SR-5P	0.02	0.10	0.27
		SR-6P	0.02	0.10	0.26



Part No.		PC1811A	PC2213H	PC2417H	PC2616H	PC3019H	
Type		PC-①	PC-①	PC-①	PC-①	PC-①	
尺寸 Dimensions in mm	A	17.90 ± 0.30	21.60 ± 0.30	24.30 ± 0.45	25.50 ± 0.50	30.00 ± 0.50	
	B	5.30 ± 0.10	6.70 ± 0.10	8.68 ± 0.15	8.05 ± 0.225	9.40 ± 0.10	
	C	10.40ref.	15.00ref.	17.00 ± 0.35	18.00 ± 0.35	21.50ref.	
	D	15.10 ± 0.25	18.20 ± 0.25	21.00 ± 0.30	21.60 ± 0.50	25.40 ± 0.40	
	E	7.40 ± 0.15	9.25 ± 0.15	11.00 ± 0.15	11.30 ± 0.30	13.30 ± 0.20	
	F	3.70 ± 0.10	4.70 ± 0.10	6.10 ± 0.15	5.65 ± 0.20	6.60 ± 0.10	
	H	3.10 ± 0.10	4.55 ± 0.15	5.40 ± 0.15	5.50 ± 0.20	5.55 ± 0.10	
磁芯参数 Core Set Parameters	C1(mm ⁻¹)	0.600	0.500	0.425	0.400	0.330	
	Le(mm)	25.8	31.5	37.5	37.6	45.0	
	Ae(mm ²)	43.3	63.2	88.4	93.1	136.0	
	Ve(mm ³)	1120	1990	3320	3500	6120	
	Ac(mm ²)	36.1	41.8	72.0	76.0	115.0	
	Aw(mm ²)	28.5	42.0	55.5	58.0	80.0	
	W(g/set)	6.8	12.6	20.8	21.8	37.3	
电气特性 Electrical Characteristics ⁽¹⁾⁽²⁾	AL value	SR-4P	3400	4000	4500	5350	6400
		SR-2P	4100	4800	4800	6490	7800
		SR-5P	3400	4000	4500	5350	6400
		SR-6P	4530	5330	5330	7140	8530
	Core loss	SR-4P	0.56	1.00	2.20	1.80	3.06
		SR-2P	0.56	1.00	2.10	1.72	3.95
		SR-5P	0.50	0.90	2.00	1.62	2.75
		SR-6P	0.50	0.90	2.00	1.62	2.75

