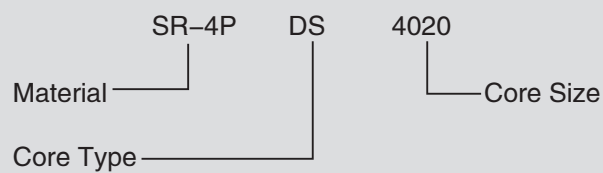


## POT CORES

**DS30~DS40**

**PC05~PC30**

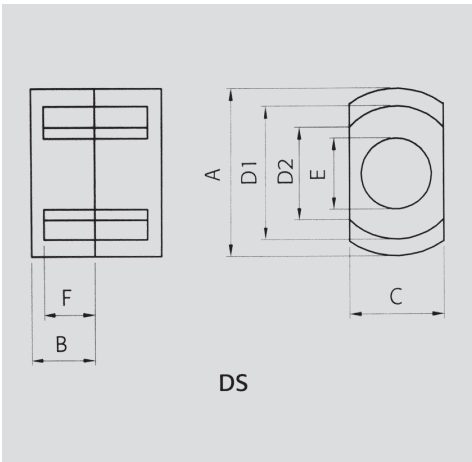
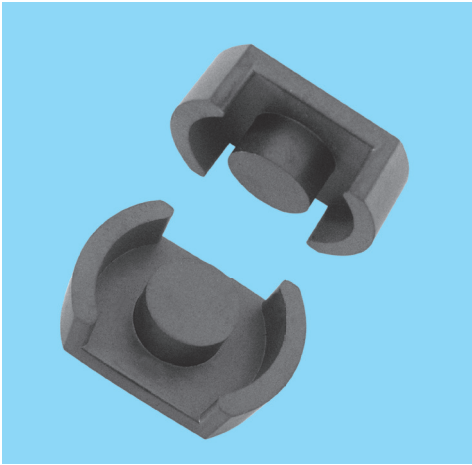
Ordering Code System



sales@shiruitech.com  
www.shiruitech.com

HEFEI SHIRUI ELECTRONIC TECHNOLOGY CO.,LTD

## DS CORES

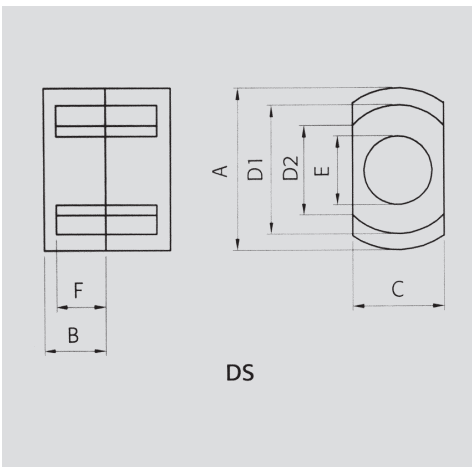
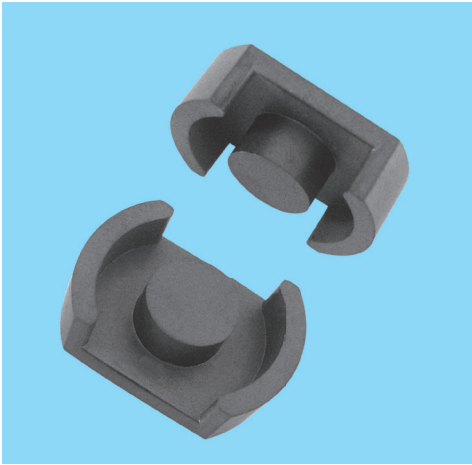


Note: 1)Core Loss  
 -Unit:Watt max.  
 -Measuring conditions  
 SR-4P,SR-5P:100kHz,200mT,at 100°C  
 SR-2P,SR-6P:100kHz,200mT,at 80°C  
 1)100kHz,100mT,at 100°C

2)AL value  
 -Unit:nH/N<sup>2</sup>  
 -Measuring conditions:1kHz,0.25V25°C  
 -Tolerance: ± 25%

Part No.		DS3019D	DS3119W	DS3314W	DS3319D	
Type		DS	DS	DS	DS	
尺寸 Dimensions in mm	A	30.00 ± 0.50	31.20 ± 0.30	33.20 ± 0.50	33.20 ± 0.50	
	B	9.40 ± 0.15	9.45 ± 0.15	7.10 ± 0.15	9.40 ± 0.15	
	C	20.30 ± 0.30	20.30 ± 0.30	23.70 ± 0.30	23.70 ± 0.30	
	D1	25.40 ± 0.40	25.40 ± 0.35	26.60 ± 0.40	26.60 ± 0.40	
	D2	17.80min.	17.20min.	17.80min.	17.80min.	
	E	13.30 ± 0.20	13.20 ± 0.15	13.50 ± 0.20	13.50 ± 0.20	
	F	6.60 ± 0.15	6.45 ± 0.20	4.30 ± 0.15	6.50 ± 0.15	
磁芯参数 Core Set Parameters	C1(mm <sup>-1</sup> )	0.395	0.390	0.290	0.350	
	Le(mm)	46.2	50.2	42.6	51.4	
	Ae(mm <sup>2</sup> )	117.0	127.5	145.1	147.4	
	Ve(mm <sup>3</sup> )	5410	6396	6178	7576	
	Ac(mm <sup>2</sup> )	139.0	136.9	143.0	143.0	
	Aw(mm <sup>2</sup> )	80.0	78.7	56.3	85.2	
	W(g/set)	27	26	24	39.4	
电气特性 Electrical Characteristics <sup>(1)(2)</sup>	AL value	SR-4P	5000	5400	7300	5900
		SR-2P	6000	6600	8700	7250
		SR-5P	5200	5400	7300	6000
		SR-6P	6600	7200	9500	7900
	Core loss	SR-4P	3.00	3.20	3.20	3.20 <sup>(1)</sup>
		SR-2P	2.85	3.10	3.05	3.51 <sup>(1)</sup>
		SR-5P	2.65	2.95	2.90	3.41 <sup>(1)</sup>
		SR-6P	2.65	2.95	2.90	3.41 <sup>(1)</sup>

## DS CORES



Note: 1)Core Loss  
 -Unit:Watt max.  
 -Measuring conditions  
 SR-4P,SR-5P:100kHz,200mT,at 100°C  
 SR-2P,SR-6P:100kHz,200mT,at 80°C  
 1)100kHz,100mT,at 100°C

2)AL value  
 -Unit:nH/N<sup>2</sup>  
 -Measuring conditions:1kHz,0.25V25°C  
 -Tolerance: ± 25%

Part No.		DS3324	DS4020	DS4020D	
Type		DS	DS	DS	
尺寸 Dimensions in mm	A	33.20 ± 0.50	39.80 ± 0.50	40.20 ± 0.50	
	B	12.05 ± 0.15	10.10 <sup>+0.20</sup> -0.10	10.10 <sup>+0.20</sup> -0.10	
	C	23.70 ± 0.30	28.30 ± 0.35	28.30 ± 0.35	
	D1	26.60 ± 0.40	33.20 ± 0.50	33.60 ± 0.50	
	D2	17.80min.	20.00min.	20.00min.	
	E	13.50 ± 0.20	16.00 ± 0.25	16.00 ± 0.25	
	F	9.25 ± 0.15	6.50 <sup>+0.20</sup> -0.10	6.50 <sup>+0.20</sup> -0.10	
磁芯参数 Core Set Parameters	C1(mm <sup>-1</sup> )	0.420	0.28	0.28	
	Le(mm)	61.9	57.3	57.4	
	Ae(mm <sup>2</sup> )	147.4	205	205	
	Ve(mm <sup>3</sup> )	9124	11746	11750	
	Ac(mm <sup>2</sup> )	143.0	201	201	
	Aw(mm <sup>2</sup> )	121.0	118.8	114.4	
	W(g/set)	36	62	62	
电气特性 Electrical Characteristics <sup>(1)(2)</sup>	AL value	SR-4P	5100	7100	7100
		SR-2P	6300	9100	9100
		SR-5P	5200	7200	7300
		SR-6P	6900	10000	10000
	Core loss	SR-4P	4.75	7.00	7.00
		SR-2P	4.50	6.50	6.50
		SR-5P	4.20	6.00	6.00
		SR-6P	4.20	6.00	6.00



**SHIRUI**

HEFEI SHIRUI ELECTRONIC TECHNOLOGY CO.,LTD

sales@shiruitech.com  
 www.shiruitech.com

Part No.		DS4025D	DS4025W	DS4026	DS4028	DS4030	
Type		DS	DS	DS	DS	DS	
尺寸 Dimensions in mm	A	40.20 ± 0.50	39.80 ± 0.50	39.80 ± 0.50	39.80 ± 0.50	39.80 ± 0.50	
	B	12.65 ± 0.20	12.80 ± 0.20	13.50 ± 0.20	14.00 ± 0.20	15.10 ± 0.20	
	C	28.30 ± 0.35	28.30 ± 0.35	28.30 ± 0.35	28.30 ± 0.35	28.30 ± 0.35	
	D1	33.60 ± 0.50	33.20 ± 0.50	33.20 ± 0.50	33.20 ± 0.50	33.20 ± 0.50	
	D2	20.00min	20.00min.	20.00min.	20.00min.	20.00min.	
	E	16.00 ± 0.25	16.00 ± 0.25	16.00 ± 0.25	16.00 ± 0.25	16.00 ± 0.25	
	F	9.05 ± 0.20	9.20 ± 0.20	9.90 ± 0.20	10.40 ± 0.20	11.50 ± 0.20	
磁芯参数 Core Set Parameters	C1(mm <sup>-1</sup> )	0.328	0.332	0.340	0.330	0.389	
	Le(mm)	67.3	68.5	71.3	73.3	79.8	
	Ae(mm <sup>2</sup> )	205	205	205.0	205.0	205.0	
	Ve(mm <sup>3</sup> )	13800	14042	14617	15027	16300	
	Ac(mm <sup>2</sup> )	201	201	201.0	201.0	201.0	
	Aw(mm <sup>2</sup> )	159.3	155	170.0	178.9	197.8	
	W(g/set)	82	81	76	79	83	
电气特性 Electrical Characteristics <sup>(1)(2)</sup>	AL value	SR-4P	6000	5900	5800	5920	4400
		SR-2P	7800	7500	7300	7200	5400
		SR-5P	6200	6100	6000	5920	4500
		SR-6P	8500	8200	8000	7800	5900
	Core loss	SR-4P	1.30	7.30 <sup>1)</sup>	1.40	7.80	8.20
		SR-2P	1.20	6.90 <sup>1)</sup>	1.30	7.50	8.10
		SR-5P	1.10	6.50 <sup>1)</sup>	1.20	7.10	8.00
		SR-6P	1.10	6.50 <sup>1)</sup>	1.20	7.10	8.00

