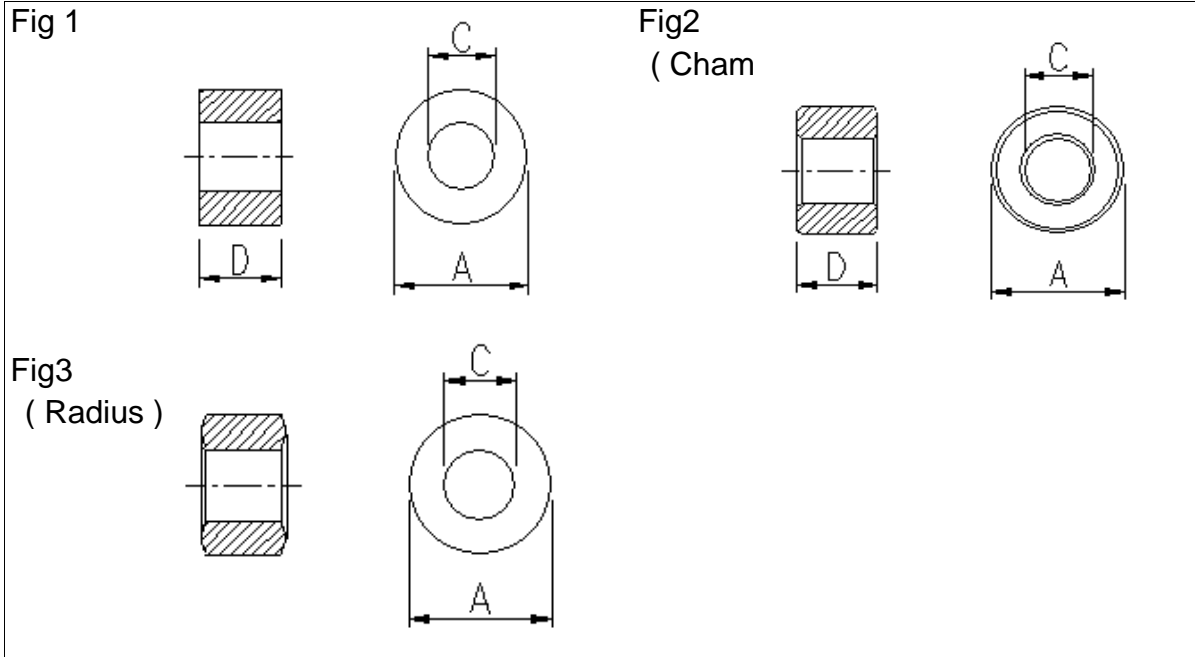
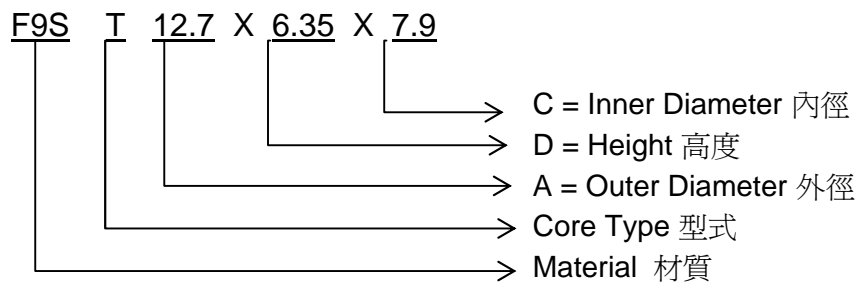


# EMI Toroidal Core ( T Type )

## 1. Shape 形狀



## 2. Ordering Code 編碼規則



## 3. Dimensions 尺寸 ( mm )

| Core Size      | Conf. | A        | D        | C         | Fig   |
|----------------|-------|----------|----------|-----------|-------|
| T 2.5x1.2x1.0  |       | 2.5±0.15 | 1.2±0.2  | 1.0±0.15  | 1,2,3 |
| T 3.0x1.3x1.0  |       | 3.0±0.15 | 1.3±0.2  | 1.0±0.15  | 1,2,3 |
| T 3.5x2.7x0.8  |       | 3.5±0.15 | 2.7±0.25 | 0.8±0.15  | 1,2,3 |
| T 3.5x2.0x0.85 |       | 3.5±0.15 | 2.0±0.2  | 0.85±0.15 | 1,2,3 |
| T 3.5x3.0x1.0  |       | 3.5±0.15 | 3.0±0.3  | 1.0±0.15  | 1,2,3 |
| T 3.5x1.25x1.2 |       | 3.5±0.15 | 1.25±0.2 | 1.2±0.15  | 1,2,3 |
| T 3.5x3.1x1.2  |       | 3.5±0.15 | 3.1±0.3  | 1.2±0.15  | 1,2,3 |
| T 3.5x3.25x1.3 |       | 3.5±0.15 | 3.25±0.3 | 1.3±0.15  | 1,2,3 |
| T 3.5x3.2x1.5  |       | 3.5±0.15 | 3.2±0.3  | 1.5±0.15  | 1,2,3 |
| T 3.5x1.5x1.8  |       | 3.5±0.15 | 1.5±0.2  | 1.8±0.15  | 1,2,3 |
| T 4.0x1.0x2.0  |       | 4.0±0.2  | 1.0±0.2  | 2.0±0.2   | 1,2,3 |

# EMI Toroidal Core ( T Type )

## 3. Dimensions 尺寸 ( mm )

| Core Size \ Conf. | A        | D        | C         | Fig   |
|-------------------|----------|----------|-----------|-------|
| T 4.0x2.5x2.0     | 4.0±0.2  | 2.5±0.25 | 2.0±0.15  | 1,2,3 |
| T 4.1x1.0x1.6     | 4.1±0.2  | 1.0±0.2  | 1.6±0.15  | 1,2,3 |
| T 4.1x4.0x1.6     | 4.1±0.2  | 4.0±0.3  | 1.6±0.15  | 1,2,3 |
| T 4.5x2.0x1.5     | 4.5±0.2  | 2.0±0.2  | 1.5±0.15  | 1,2,3 |
| T 4.5x2.0x3.6     | 4.5±0.2  | 2.0±0.2  | 3.6±0.2   | 1,2,3 |
| T 4.8x1.2x2.8     | 4.8±0.2  | 1.2±0.2  | 2.8±0.2   | 1,2,3 |
| T 4.8x3.0x2.8     | 4.8±0.2  | 3.0±0.3  | 2.8±0.2   | 1,2,3 |
| T 4.85x5.0x3.9    | 4.85±0.2 | 5.0±0.3  | 3.9±0.2   | 1,2,3 |
| T 4.9x3.1x3.9     | 4.9±0.2  | 3.1±0.3  | 3.9±0.2   | 1,2,3 |
| T 5.0x1.2x1.5     | 5.0±0.25 | 1.2±0.2  | 1.5±0.15  | 1,2,3 |
| T 5.0x3.0x2.4     | 5.0±0.25 | 3.0±0.3  | 2.4±0.15  | 1,2,3 |
| T 5.0x4.8x2.5     | 5.0±0.25 | 4.8±0.3  | 2.5±0.2   | 1,2,3 |
| T 6.0x5.0x2.0     | 6.0±0.3  | 5.0±0.3  | 2.0±0.15  | 1,2,3 |
| T 6.0x2.0x3.0     | 6.0±0.3  | 2.0±0.2  | 3.0±0.2   | 1,2,3 |
| T 6.0x5.5x3.0     | 6.0±0.3  | 5.5±0.3  | 3.0±0.2   | 1,2,3 |
| T 6.2x3.2x2.8     | 6.2±0.3  | 3.2±0.3  | 2.8±0.2   | 1,2,3 |
| T 6.5x5.0x3.3     | 6.5±0.3  | 5.0±0.3  | 3.3±0.2   | 1,2,3 |
| T 6.5x5.0x4.5     | 6.5±0.3  | 5.0±0.3  | 4.5±0.2   | 1,2,3 |
| T 7.0x3.0x4.0     | 7.0±0.3  | 3.0±0.3  | 4.0±0.2   | 1,2,3 |
| T 7.75x3.0x4.0    | 7.75±0.3 | 3.0±0.3  | 4.0±0.2   | 1,2,3 |
| T 7.75x4.2x3.75   | 7.75±0.3 | 4.2±0.3  | 3.75±0.2  | 1,2,3 |
| T 7.8x4.2x3.7     | 7.8±0.3  | 4.2±0.3  | 3.7±0.2   | 1,2,3 |
| T 7.8x6.5x4.0     | 7.8±0.3  | 6.5±0.3  | 4.0±0.2   | 1,2,3 |
| T 8.0x4.0x3.0     | 8.0±0.3  | 4.0±0.3  | 3.0±0.2   | 1,2,3 |
| T 8.0x3.0x4.0     | 8.0±0.3  | 3.0±0.3  | 4.0±0.2   | 1,2,3 |
| T 8.0x7.0x4.0     | 8.0±0.3  | 7.0±0.3  | 4.0±0.2   | 1,2,3 |
| T 8.0x6.0x5.0     | 8.0±0.3  | 6.0±0.3  | 5.0±0.25  | 1,2,3 |
| T 8.0x7.0x5.6     | 8.0±0.3  | 7.0±0.3  | 5.6±0.25  | 1,2,3 |
| T 8.15x3.5x3.7    | 8.15±0.3 | 3.5±0.3  | 3.7±0.2   | 1,2,3 |
| T 8.4x3.3x3.8     | 8.4±0.3  | 3.3±0.3  | 3.8±0.2   | 1,2,3 |
| T 9.0x3.0x5.0     | 9.0±0.3  | 3.0±0.3  | 5.0±0.25  | 1,2,3 |
| T 9.0x8.0x5.0     | 9.0±0.3  | 8.0±0.3  | 5.0±0.25  | 1,2,3 |
| T 9.4x3.3x4.8     | 9.4±0.3  | 3.3±0.3  | 4.8±0.2   | 1,2,3 |
| T 9.5x3.0x4.5     | 9.5±0.3  | 3.0±0.3  | 4.5±0.2   | 1,2,3 |
| T 9.5x3.17x4.75   | 9.5±0.3  | 3.17±0.3 | 4.75±0.2  | 1,2,3 |
| T 9.5x3.5x4.8     | 9.5±0.3  | 3.5±0.3  | 4.8±0.2   | 1,2,3 |
| T 9.5x4.5x5.0     | 9.5±0.3  | 4.5±0.3  | 5.0±0.25  | 1,2,3 |
| T 9.66x3.7x4.9    | 9.66±0.3 | 3.7±0.3  | 4.9±0.2   | 1,2,3 |
| T 9.66x5.0x5.0    | 9.66±0.3 | 5.0±0.3  | 5.0±0.25  | 1,2,3 |
| T 9.66x4.83x5.07  | 9.66±0.3 | 4.83±0.3 | 5.07±0.25 | 1,2,3 |
| T 9.66x7.35x6.35  | 9.66±0.3 | 7.35±0.3 | 6.35±0.3  | 1,2,3 |
| T 9.7x5.2x4.8     | 9.7±0.3  | 5.2±0.3  | 4.8±0.2   | 1,2,3 |
| T 9.8x3.3x4.3     | 9.8±0.3  | 3.3±0.3  | 4.3±0.2   | 1,2,3 |

# EMI Toroidal Core ( T Type )

### 3. Dimensions 尺寸 ( mm )

| Core Size \ Conf. | A        | D        | C         | Fig   |
|-------------------|----------|----------|-----------|-------|
| T 9.8x4.6x5.2     | 9.8±0.3  | 4.6±0.3  | 5.2±0.25  | 1,2,3 |
| T 9.8x7.35x6.35   | 9.8±0.3  | 7.35±0.3 | 6.35±0.25 | 1,2,3 |
| T 10.0x6.0x4.0    | 10.0±0.4 | 6.0±0.3  | 4.0±0.2   | 1,2,3 |
| T 10.0x2.5x5.0    | 10.0±0.4 | 2.5±0.25 | 5.0±0.25  | 1,2,3 |
| T 10.0x10.0x5.0   | 10.0±0.4 | 10.0±0.4 | 5.0±0.25  | 1,2,3 |
| T 10.0x2.0x6.0    | 10.0±0.4 | 2.0±0.2  | 6.0±0.3   | 1,2,3 |
| T 10.0x4.0x6.0    | 10.0±0.4 | 4.0±0.3  | 6.0±0.3   | 1,2,3 |
| T 10.3x8.0x5.6    | 10.3±0.4 | 8.0±0.3  | 5.6±0.3   | 1,2,3 |
| T 10.3x4.0x5.8    | 10.3±0.4 | 4.0±0.3  | 5.8±0.3   | 1,2,3 |
| T 10.3x10.2x5.8   | 10.3±0.4 | 10.2±0.4 | 5.8±0.3   | 1,2,3 |
| T 10.5x6.4x6.5    | 10.5±0.4 | 6.4±0.3  | 6.5±0.3   | 1,2,3 |
| T 11.5x9.0x4.9    | 11.5±0.4 | 9.0±0.3  | 4.9±0.2   | 1,2,3 |
| T 12.0x10.2x3.6   | 12.0±0.4 | 10.2±0.4 | 3.6±0.2   | 1,2,3 |
| T 12.0x6.0x4.0    | 12.0±0.4 | 6.0±0.3  | 4.0±0.2   | 1,2,3 |
| T 12.0x10.0x5.6   | 12.0±0.4 | 10.0±0.4 | 5.6±0.25  | 1,2,3 |
| T 12.0x4.0x6.0    | 12.0±0.4 | 4.0±0.3  | 6.0±0.3   | 1,2,3 |
| T 12.0x10.0x6.5   | 12.0±0.4 | 10.0±0.4 | 6.5±0.3   | 1,2,3 |
| T 12.0x10.2x7.0   | 12.0±0.4 | 10.2±0.4 | 7.0±0.3   | 1,2,3 |
| T 12.0x6.5x7.1    | 12.0±0.4 | 6.5±0.3  | 7.1±0.3   | 1,2,3 |
| T 12.0x5.0x7.45   | 12.0±0.4 | 5.0±0.3  | 7.45±0.3  | 1,2,3 |
| T 12.0x11.0x8.6   | 12.0±0.4 | 11.0±0.4 | 8.6±0.3   | 1,2,3 |
| T 12.5x4.5x5.5    | 12.5±0.4 | 4.5±0.3  | 5.5±0.25  | 1,2,3 |
| T 12.7x7.9x6.35   | 12.7±0.4 | 7.9±0.3  | 6.35±0.3  | 1,2,3 |
| T 12.7x6.3x7.5    | 12.7±0.4 | 6.3±0.3  | 7.5±0.3   | 1,2,3 |
| T 12.7x4.0x7.88   | 12.7±0.4 | 4.0±0.3  | 7.88±0.3  | 1,2,3 |
| T 12.7x12.5x7.88  | 12.7±0.4 | 12.5±0.4 | 7.88±0.3  | 1,2,3 |
| T 12.7x6.35x7.9   | 12.7±0.4 | 6.35±0.3 | 7.9±0.3   | 1,2,3 |
| T 13.0x5.0x5.0    | 13.0±0.4 | 5.0±0.3  | 5.0±0.25  | 1,2,3 |
| T 13.0x7.0x5.5    | 13.0±0.4 | 7.0±0.3  | 5.5±0.25  | 1,2,3 |
| T 13.0x12.6x5.5   | 13.0±0.4 | 12.6±0.4 | 5.5±0.25  | 1,2,3 |
| T 13.0x6.0x7.0    | 13.0±0.4 | 6.0±0.3  | 7.0±0.3   | 1,2,3 |
| T 13.0x4.8x7.1    | 13.0±0.4 | 4.8±0.3  | 7.1±0.3   | 1,2,3 |
| T 13.0x12.7x7.1   | 13.0±0.4 | 12.7±0.4 | 7.1±0.3   | 1,2,3 |
| T 13.0x8.0x8.2    | 13.0±0.4 | 8.0±0.3  | 8.2±0.3   | 1,2,3 |
| T 13.0x6.0x9.4    | 13.0±0.4 | 6.0±0.3  | 9.4±0.3   | 1,2,3 |
| T 13.5x5.0x7.0    | 13.5±0.4 | 5.0±0.3  | 7.0±0.3   | 1,2,3 |
| T 14.0x7.5x8.0    | 14.0±0.4 | 7.5±0.3  | 8.0±0.3   | 1,2,3 |
| T 14.0x5.0x10.0   | 14.0±0.4 | 5.0±0.3  | 10.0±0.4  | 1,2,3 |
| T 14.2x5.0x6.35   | 14.2±0.4 | 5.0±0.3  | 6.35±0.3  | 1,2,3 |
| T 14.2x13.5x6.35  | 14.2±0.4 | 13.5±0.4 | 6.35±0.3  | 1,2,3 |
| T 14.2x8.0x6.7    | 14.2±0.4 | 8.0±0.3  | 6.7±0.3   | 1,2,3 |
| T 14.2x6.7x7.45   | 14.2±0.4 | 6.7±0.4  | 7.45±0.3  | 1,2,3 |
| T 14.2x10.0x7.45  | 14.2±0.4 | 10.0±0.4 | 7.45±0.3  | 1,2,3 |

# EMI Toroidal Core ( T Type )

## 3. Dimensions 尺寸 ( mm )

| Core Size \ Conf. | A         | D        | C         | Fig   |
|-------------------|-----------|----------|-----------|-------|
| T 14.2x7.0x8.0    | 14.2±0.4  | 7.0±0.3  | 8.0±0.3   | 1,2,3 |
| T 14.2x12.2x8.0   | 14.2±0.4  | 12.2±0.4 | 8.0±0.3   | 1,2,3 |
| T 14.2x5.0x8.3    | 14.2±0.4  | 5.0±0.3  | 8.3±0.3   | 1,2,3 |
| T 14.2x7.0x8.8    | 14.2±0.4  | 7.0±0.3  | 8.8±0.3   | 1,2,3 |
| T 14.2x7.0x8.88   | 14.2±0.4  | 7.0±0.3  | 8.88±0.3  | 1,2,3 |
| T 14.2x8.0x9.15   | 14.2±0.4  | 8.0±0.3  | 9.15±0.3  | 1,2,3 |
| T 15.2x5.0x8.0    | 15.2±0.5  | 5.0±0.3  | 8.0±0.3   | 1,2,3 |
| T 15.2x6.0x10.2   | 15.2±0.5  | 6.0±0.3  | 10.2±0.4  | 1,2,3 |
| T 15.2x12.7x10.2  | 15.2±0.5  | 12.7±0.4 | 10.2±0.4  | 1,2,3 |
| T 15.25x12.7x10.2 | 15.25±0.5 | 12.7±0.4 | 10.2±0.4  | 1,2,3 |
| T 16.0x8.0x4.3    | 16.0±0.5  | 8.0±0.3  | 4.3±0.2   | 1,2,3 |
| T 16.0x15.0x4.5   | 16.0±0.5  | 15.0±0.5 | 4.5±0.2   | 1,2,3 |
| T 16.0x9.0x7.88   | 16.0±0.5  | 9.0±0.3  | 7.88±0.3  | 1,2,3 |
| T 16.0x16.0x7.88  | 16.0±0.5  | 16.0±0.5 | 7.88±0.3  | 1,2,3 |
| T 16.0x5.0x8.0    | 16.0±0.5  | 5.0±0.3  | 8.0±0.3   | 1,2,3 |
| T 16.0x12.0x8.0   | 16.0±0.5  | 12.0±0.4 | 8.0±0.3   | 1,2,3 |
| T 16.0x7.5x8.3    | 16.0±0.5  | 7.5±0.3  | 8.3±0.3   | 1,2,3 |
| T 16.0x13.0x9.0   | 16.0±0.5  | 13.0±0.4 | 9.0±0.3   | 1,2,3 |
| T 16.0x4.8x9.15   | 16.0±0.5  | 4.8±0.3  | 9.15±0.3  | 1,2,3 |
| T 16.0x12.0x9.15  | 16.0±0.5  | 12.0±0.4 | 9.15±0.3  | 1,2,3 |
| T 16.0x16.0x11.7  | 16.0±0.5  | 16.0±0.5 | 11.7±0.4  | 1,2,3 |
| T 16.3x7.5x9.2    | 16.3±0.5  | 7.5±0.3  | 9.2±0.3   | 1,2,3 |
| T 17.5x14.2x5.35  | 17.5±0.5  | 14.2±0.4 | 5.35±0.25 | 1,2,3 |
| T 17.5x9.5x8.0    | 17.5±0.5  | 9.5±0.3  | 8.0±0.3   | 1,2,3 |
| T 17.5x16.0x8.76  | 17.5±0.5  | 16.0±0.5 | 8.76±0.3  | 1,2,3 |
| T 17.5x12.5x9.5   | 17.5±0.5  | 12.5±0.4 | 9.5±0.3   | 1,2,3 |
| T 17.5x12.7x10.2  | 17.5±0.5  | 12.7±0.4 | 10.2±0.4  | 1,2,3 |
| T 17.5x16.0x10.5  | 17.5±0.5  | 16.0±0.5 | 10.5±0.4  | 1,2,3 |
| T 17.5x6.8x10.6   | 17.5±0.5  | 6.8±0.3  | 10.6±0.4  | 1,2,3 |
| T 17.5x6.4x11.5   | 17.5±0.5  | 6.4±0.3  | 11.5±0.4  | 1,2,3 |
| T 17.5x12.7x11.5  | 17.5±0.5  | 12.7±0.4 | 11.5±0.4  | 1,2,3 |
| T 18.3x10.0x9.7   | 18.3±0.5  | 10.0±0.4 | 9.7±0.3   | 1,2,3 |
| T 18.4x10.0x10.2  | 18.4±0.5  | 10.0±0.4 | 10.2±0.4  | 1,2,3 |
| T 18.4x11.8x11.0  | 18.4±0.5  | 11.8±0.4 | 11.0±0.4  | 1,2,3 |
| T 18.4x9.5x12.5   | 18.4±0.5  | 9.5±0.3  | 12.5±0.4  | 1,2,3 |
| T 19.7x8.0x11.7   | 19.7±0.5  | 8.0±0.3  | 11.7±0.4  | 1,2,3 |
| T 20.0x14.2x5.2   | 20.0±0.6  | 14.2±0.4 | 5.2±0.25  | 1,2,3 |
| T 20.0x10.0x10.0  | 20.0±0.6  | 10.0±0.4 | 10.0±0.4  | 1,2,3 |
| T 20.0x5.0x10.2   | 20.0±0.6  | 5.0±0.3  | 10.2±0.4  | 1,2,3 |
| T 20.5x10.0x10.0  | 20.5±0.6  | 10.0±0.4 | 10.0±0.4  | 1,2,3 |
| T 21.2x13x12.7    | 21.2±0.6  | 13.0±0.4 | 12.7±0.4  | 1,2,3 |
| T 22.5x20.0x13.8  | 22.5±0.6  | 20.0±0.6 | 13.8±0.4  | 1,2,3 |
| T 22.8x8.8x13.5   | 22.8±0.6  | 8.8±0.3  | 13.5±0.4  | 1,2,3 |

# EMI Toroidal Core ( T Type )

## 3. Dimensions 尺寸 ( mm )

| Core Size \ Conf. | A        | D         | C        | Fig   |
|-------------------|----------|-----------|----------|-------|
| T 23.0x11.8x5.3   | 23.0±0.6 | 11.8±0.4  | 5.3±0.25 | 1,2,3 |
| T 23.0x14.0x5.5   | 23.0±0.6 | 14.0±0.4  | 5.5±0.25 | 1,2,3 |
| T 23.0x14.0x11.4  | 23.0±0.6 | 14.0±0.4  | 11.4±0.4 | 1,2,3 |
| T 23.0x6.4x12.5   | 23.0±0.6 | 6.4±0.3   | 12.5±0.4 | 1,2,3 |
| T 23.0x15.0x12.5  | 23.0±0.6 | 15.0±0.5  | 12.5±0.4 | 1,2,3 |
| T 23.0x7.4x13.8   | 23.0±0.6 | 7.4±0.3   | 13.8±0.4 | 1,2,3 |
| T 23.0x11.0x14.0  | 23.0±0.6 | 11.0±0.4  | 14.0±0.4 | 1,2,3 |
| T 24.0x14.0x11.0  | 24.0±0.6 | 14.0±0.4  | 11.0±0.4 | 1,2,3 |
| T 24.5x13.0x13.2  | 24.3±0.6 | 13.0±0.4  | 13.2±0.4 | 1,2,3 |
| T 25.0x4.0x5.2    | 25.0±0.6 | 4.0±0.3   | 5.2±0.25 | 1,2,3 |
| T 25.0x10.0x15.0  | 25.0±0.6 | 10.0±0.4  | 15.0±0.4 | 1,2,3 |
| T 25.2x15.2x14.8  | 25.2±0.6 | 15.2±0.5  | 14.8±0.4 | 1,2,3 |
| T 25.9x6.35x12.8  | 25.9±0.6 | 6.35±0.3  | 12.8±0.4 | 1,2,3 |
| T 25.9x21.2x12.8  | 25.9±0.6 | 21.2±0.6  | 12.8±0.4 | 1,2,3 |
| T 25.9x12.7x16.0  | 25.9±0.6 | 12.7±0.4  | 16.0±0.5 | 1,2,3 |
| T 25.9x14.09x17.0 | 25.9±0.6 | 14.09±0.4 | 17.0±0.5 | 1,2,3 |
| T 26.0x14.0x12.8  | 26.0±0.6 | 14.0±0.4  | 12.8±0.4 | 1,2,3 |
| T 26.9x13.0x15.8  | 26.9±0.6 | 13.0±0.4  | 15.8±0.5 | 1,2,3 |
| T 28.0x3.75x5.2   | 28.0±0.7 | 3.75±0.3  | 5.2±0.25 | 1,2,3 |
| T 28.0x20.0x13.8  | 28.0±0.7 | 20.0±0.6  | 13.8±0.4 | 1,2,3 |
| T 28.0x13.4x16.0  | 28.0±0.7 | 13.4±0.4  | 16.0±0.5 | 1,2,3 |
| T 28.0x19.0x16.0  | 28.0±0.7 | 19.0±0.5  | 16.0±0.5 | 1,2,3 |
| T 29.0x7.0x19.0   | 29.0±0.7 | 7.0±0.3   | 19.0±0.5 | 1,2,3 |
| T 29.0x20.0x19.0  | 29.0±0.7 | 20.0±0.6  | 19.0±0.5 | 1,2,3 |
| T 30.0x4.0x6.0    | 30.0±0.8 | 4.0±0.3   | 6.0±0.3  | 1,2,3 |
| T 31.0x7.0x19.0   | 31.0±0.8 | 7.0±0.3   | 19.0±0.5 | 1,2,3 |
| T 31.0x16.0x19.0  | 31.0±0.8 | 16.0±0.5  | 19.0±0.5 | 1,2,3 |
| T 31.3x11.3x18.7  | 31.0±0.8 | 11.3±0.4  | 18.7±0.5 | 1,2,3 |
| T 36.0x22.0x19.0  | 36.0±0.8 | 22.0±0.6  | 19.0±0.5 | 1,2,3 |
| T 36.0x12.0x23.0  | 36.0±0.8 | 12.0±0.4  | 23.0±0.6 | 1,2,3 |
| T 36.0x7.0x25.5   | 36.0±0.8 | 7.0±0.3   | 25.5±0.6 | 1,2,3 |
| T 37.5x5.5x9.1    | 37.5±0.8 | 5.5±0.3   | 9.1±0.3  | 1,2,3 |
| T 40.0x15.0x23.4  | 40.0±0.8 | 15.0±0.5  | 23.4±0.6 | 1,2,3 |
| T 47.5x15.0x29.5  | 47.5±0.8 | 15.0±0.5  | 29.5±0.8 | 1,2,3 |
|                   |          |           |          |       |
|                   |          |           |          |       |
|                   |          |           |          |       |
|                   |          |           |          |       |
|                   |          |           |          |       |
|                   |          |           |          |       |
|                   |          |           |          |       |
|                   |          |           |          |       |