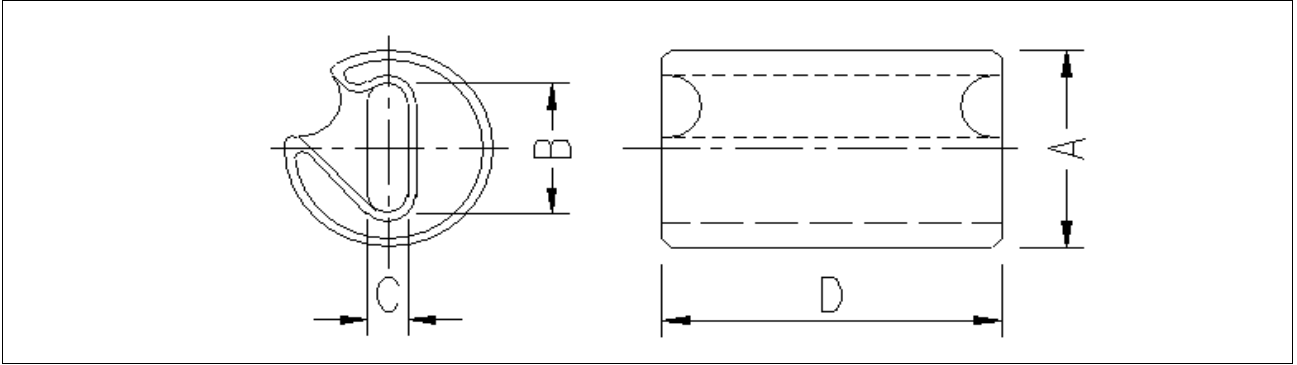
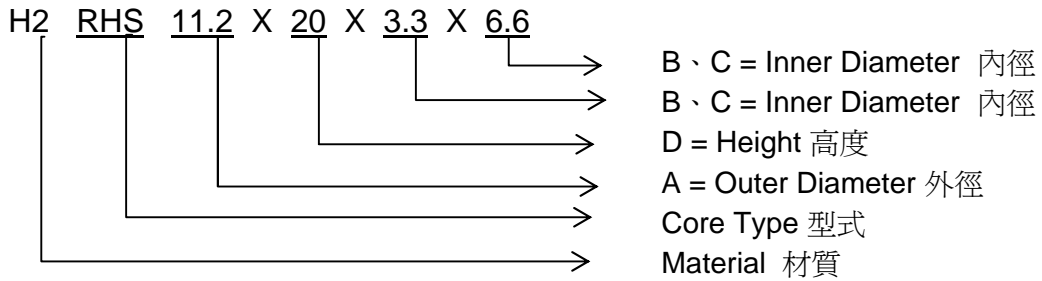


EMI Bead Core (RHS Core)

1. Shape 形狀



2. Ordering Code 編碼規則



3. Dimensions 尺寸 (mm)

Core Size	Conf.	A	B	C	D
RHS 11.2x20.0x3.3x6.6		11.2±0.4	6.6±0.3	3.3±0.2	20.0±0.6
RHS 14.0x28.0x3.5x10.5		14.0±0.5	10.5±0.4	3.5±0.2	28.0±0.7