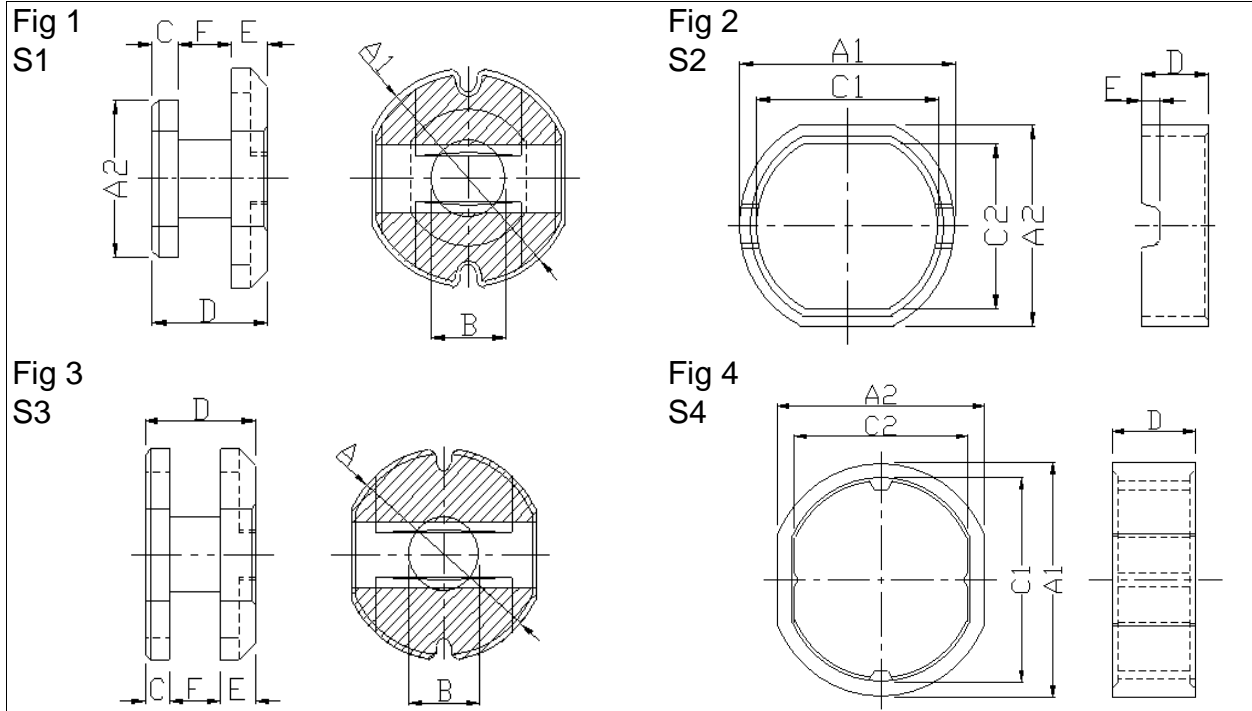
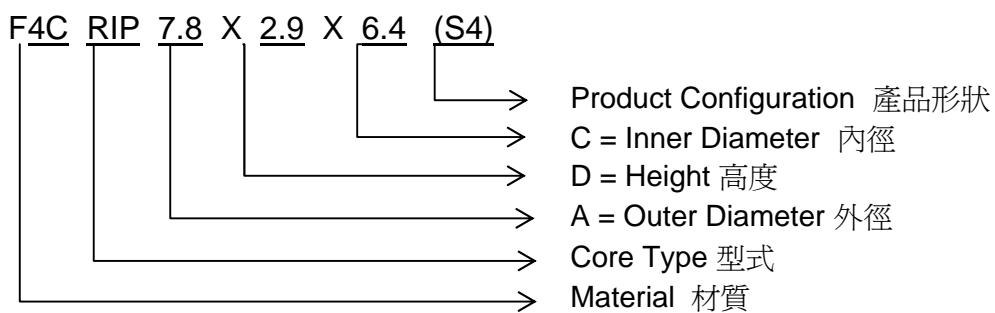
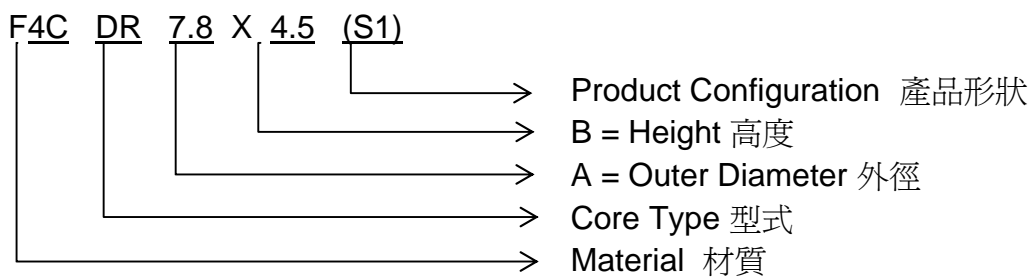


RIP Core with MDR Core

1. Shape 形狀



2. Ordering Code 編碼規則



3. Dimensions 尺寸 (mm)

Core Size \ Conf.	A1	A2	B	C (C1,C2)	D	E	F	Fig
MDR 5.8x3.2(S1)	5.8±0.15	5.2±0.15	2.0±0.15	0.6±0.15	3.2±0.15	1.1±0.15	1.5±0.15	1
RIP 6.2x1.8x4.7(S2)	6.2±0.2	5.6±0.15		4.7(4.35) ±0.15	1.8±0.15			2
MDR 7.8x4.5(S1)	7.8±0.2	5.6±0.15	2.8±0.15	0.8±0.1	4.5±0.15	1.3±0.15	2.4±0.15	1
RIP 7.8x2.9x6.4(S2)	7.8±0.2	7.0±0.2		6.4(5.6) ±0.2	2.9±0.15			2

