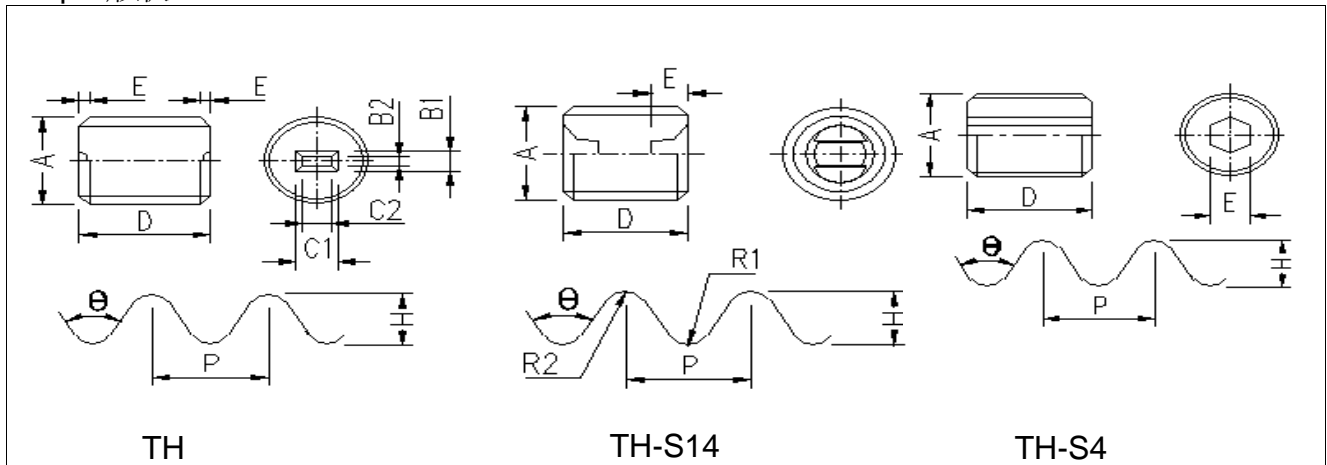
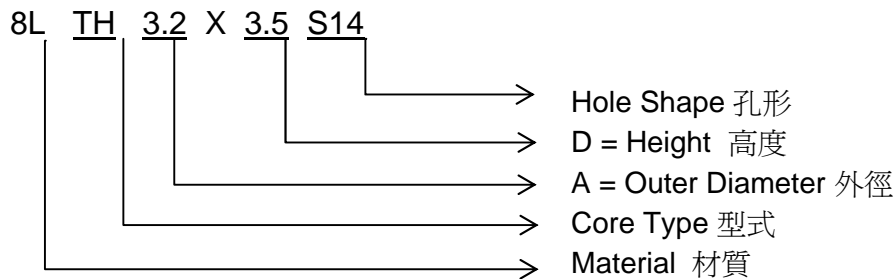


Threaded Core (TH Type)

1. Shape 形状



2. Ordering Code 編碼規則

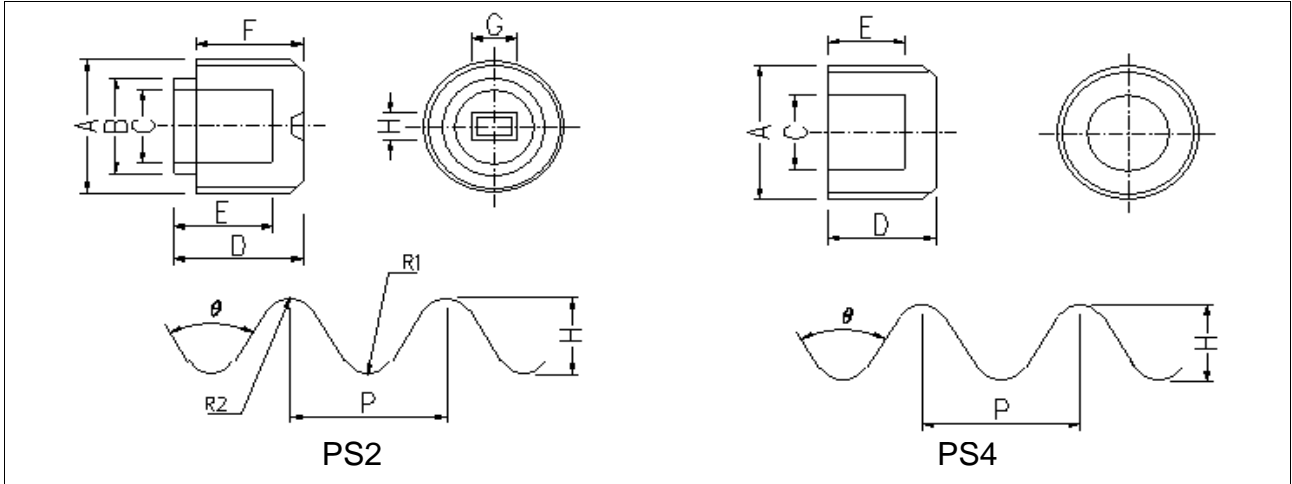


3. Dimensions 尺寸 (mm)

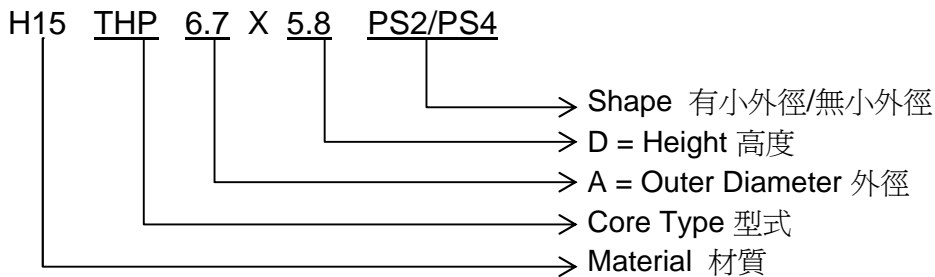
Core Size \ Conf.	A	D	E	H	P	θ
TH 2.18x2.5 S14	2.18±0.03	2.5±0.25	0.8±0.15	0.16+0.1-0.03	0.35±0.03	60°±5°
TH 2.6x2.8	2.6±0.03	2.8±0.25	1.0±0.15	0.16+0.1-0.03	0.35±0.03	60°±5°
TH 3.17x5.0	3.17±0.03	5.0±0.25	1.0±0.15	0.16+0.1-0.03	0.75±0.03	60°±5°
TH 3.2x2.0	3.2±0.03	2.0±0.25	1.0±0.15	0.35+0.14-0.03	0.75±0.03	60°±5°
TH 3.2x3.5 S14	3.2±0.03	3.5±0.25	1.0±0.15	0.16+0.1-0.03	0.35±0.03	60°±5°
TH 3.23x5.0 S14	3.23±0.03	5.0±0.25	1.0±0.15	0.35+0.14-0.03	0.75±0.03	60°±5°
TH 3.25x3.0 S14	3.25±0.03	3.0±0.25	1.0±0.15	0.28+0.1-0.03	0.6±0.03	60°±5°
TH 3.3x5.5 S14	3.3±0.03	5.5±0.25	1.0±0.15	0.35+0.14-0.03	0.75±0.03	60°±5°
TH 3.3x6.0	3.3±0.03	6.0±0.3	1.0±0.15	0.28+0.1-0.03	0.6±0.03	60°±5°
TH 3.95x7.5 S14	3.95±0.03	7.5±0.3	1.6±0.15	0.35+0.14-0.03	0.75±0.03	60°±5°
TH 4.0x6.0 S14	4.0±0.03	6.0±0.3	1.0±0.15	0.55+0.14-0.1	1.0±0.03	60°±5°
TH 4.54x8.0 S15	4.54±0.03	8.0±0.3	1.0±0.15	0.55+0.14-0.1	1.0±0.03	60°±5°
TH 4.6x9.5 S4	4.6±0.03	9.5±0.3	1.0±0.15	0.35+0.14-0.1	10.75±0.03	60°±5°
TH 5.9x8.0	5.9±0.03	8.0±0.3	1.3±0.15	0.55+0.14-0.1	1.0±0.03	60°±5°
TH 6.0x20.0 S4	6.0±0.03	20.0±0.5	1.75±0.2	0.55+0.14-0.1	1.0±0.03	60°±5°
TH 6.23x20.0 S4	6.23±0.03	20.0±0.5	2.8±0.2	0.55+0.14-0.1	1.0±0.03	60°±5°

Threaded Cup Core (THP Type)

1. Shape 形狀



2. Ordering Code 編碼規則



3. Dimensions 尺寸 (mm)

Core Size \ Conf.	A	B	C	D	E	F	P	θ
THP 4.75x2.5 PS4	4.75±0.03		3.7±0.2	2.5±0.2	1.9±0.2		0.5±0.03	90°±5°
THP 4.75x2.8 PS4	4.75±0.03		3.7±0.2	2.8±0.2	1.9±0.2		0.5±0.03	90°±5°
THP 4.8x3.5 PS4	4.8±0.03		3.7±0.2	3.5±0.2	1.9±0.2		0.5±0.03	90°±5°
THP 5.0x3.15 PS4	5.0±0.03		3.95±0.2	3.15±0.2	2.15±0.2		0.5±0.03	90°±5°
THP 5.0x5.2 PS4	5.0±0.03		3.95±0.2	5.2±0.2	2.15±0.2		0.5±0.03	90°±5°
THP 5.95x2.7 PS4	5.95±0.03		4.6±0.2	2.7±0.2	1.7±0.2		0.5±0.03	90°±5°
THP 5.95x3.0 PS4	5.95±0.03		4.6±0.2	3.0±0.2	1.7±0.2		0.5±0.03	90°±5°
THP 6.0x4.08 PS4	6.0±0.03		4.6±0.2	4.08±0.2	1.7±0.2		0.5±0.03	90°±5°
THP 6.47x6.2 PS4	6.47±0.03		5.3±0.2	6.2±0.25	4.7±0.2		0.6±0.03	60°±5°
THP 6.5x4.0 PS4	6.5±0.03		5.0±0.2	4.0±0.2	2.7±0.2		0.6±0.03	60°±5°
THP 6.5x5.7 PS2	6.5±0.03	6.0±0.2	5.0±0.2	5.7±0.2	4.2±0.2	4.3±0.2	0.6±0.03	60°±5°
THP 6.5x6.5 PS4	6.5±0.03		5.0±0.2	6.5±0.25	5.2±0.2		0.6±0.03	60°±5°
THP 6.7x5.8 PS2	6.7±0.03	6.0±0.2	4.9±0.2	5.8±0.2	4.3±0.2	4.3±0.2	0.6±0.03	60°±5°
THP 6.8x3.4 PS4	6.8±0.03		5.35±0.2	3.4±0.2	2.4±0.2		0.6±0.03	90°±5°
THP 6.8x6.0 PS4	6.8±0.03		5.3±0.2	6.0±0.25	4.5±0.2		0.6±0.03	60°±5°
THP 6.8x8.8 PS4	6.8±0.03		5.3±0.2	8.8±0.25	6.1±0.2		0.6±0.03	60°±5°
THP 6.83x3.7 PS4	6.83±0.03		5.4±0.2	3.7±0.2	2.6±0.2		0.6±0.03	60°±5°
THP 6.83x7.2 PS4	6.83±0.03		5.25±0.2	7.2±0.25	5.8±0.2		0.6±0.03	60°±5°
THP 7.5x6.5 PS2	7.5±0.03	6.6±0.2	5.4±0.2	6.5±0.25	4.5±0.2	4.3±0.2	0.8±0.03	88°±5°