

PCB TRANSFORMERS

VA	L	W	H	M	A	B	C	Output Voltage (V)	Weight (g)
2.5	41.5MAX	37.0MAX	30.0MAX	26.92	5.08	6.35	25.4	5-36	113
5	41.5MAX	37.0MAX	36.0MAX	26.92	5.08	10.16	25.4	5-36	168
10	48.5MAX	41.0MAX	37.0MAX	31.75	5.08	10.16	29	5-36	240

OUTLINE DIMENSIONS

Inches .xxx±0.010

mm .xxx±0.25

Recommended Drill Hole Diameter For 2.5&5VA Pins

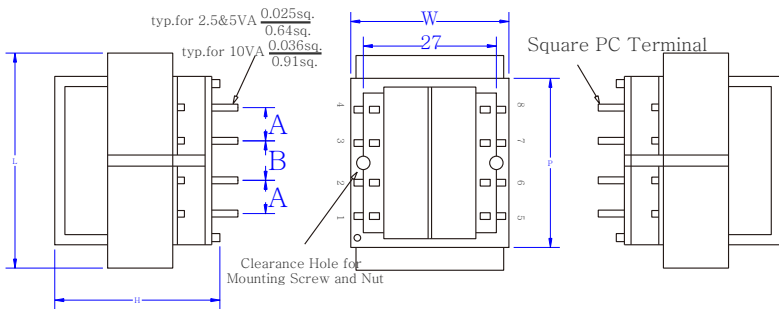
0.045 inches

1.55mm

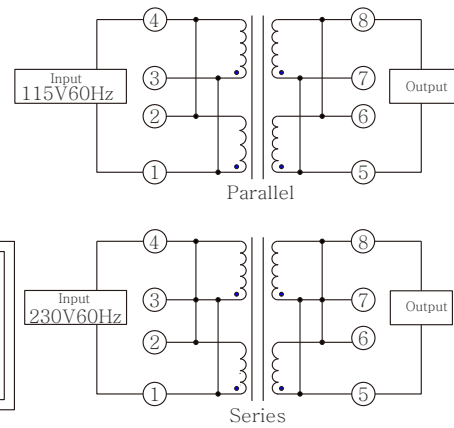
Recommended Drill Hole Diameter For 10VA Pins

0.055 inches

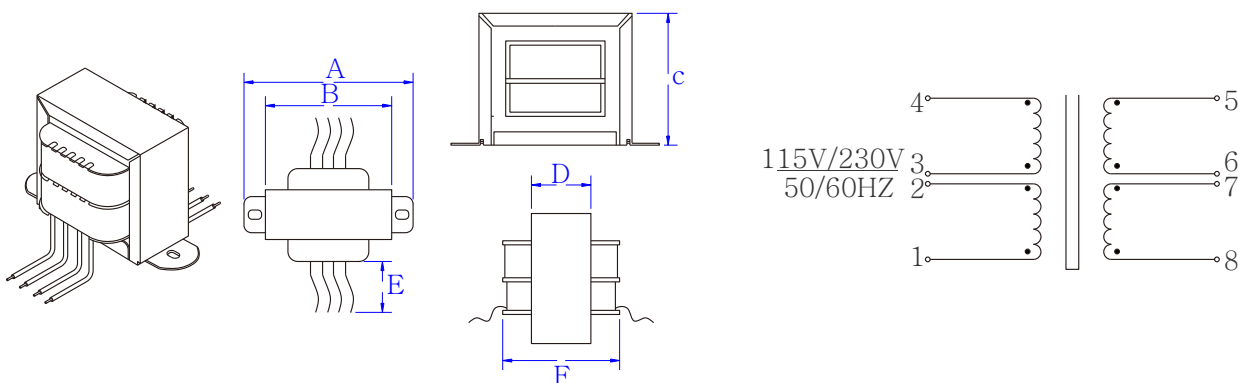
1.40mm



ELECTRICAL SCHEMATIC



VA	A	B	C	D	E	F	Output Voltage (V)
3	56.0MAX	36.8	34.0MAX	17.5	150	315	6-48
6	66.0MAX	42.8	36.5MAX	18.5	150	35	6-48
12	73.0MAX	50	44.0MAX	25.5	150	41	6-48
24	82.0MAX	59.5	53.0MAX	27.5	150	45	6-48
40	94.0MAX	69	61.0MAX	27.5	150	50	6-48



HEFEI SHIRUI ELECTRONIC TECHNOLOGY CO.,LTD

sales@shiruitech.com
www.shiruitech.com