

POWER TRANSFORMER

POWER TRANSFORMERS

FEATURES

- Conform to UL Safety Standards
- Dielectric Strength:2500Vrms
- Temperature Class:B(130 °C)
- Various inputs Options:100V/110V/115V/120V/220V/230V/240V/480V/50/60Hz
- Single and Dual or More Secondary
- Power Range:1.1VA to 600VA
- Lamination Size Range:EI28 to EI133
- Assemble Style:PCB and Foot Mounting or Others According to Customer's Requirement

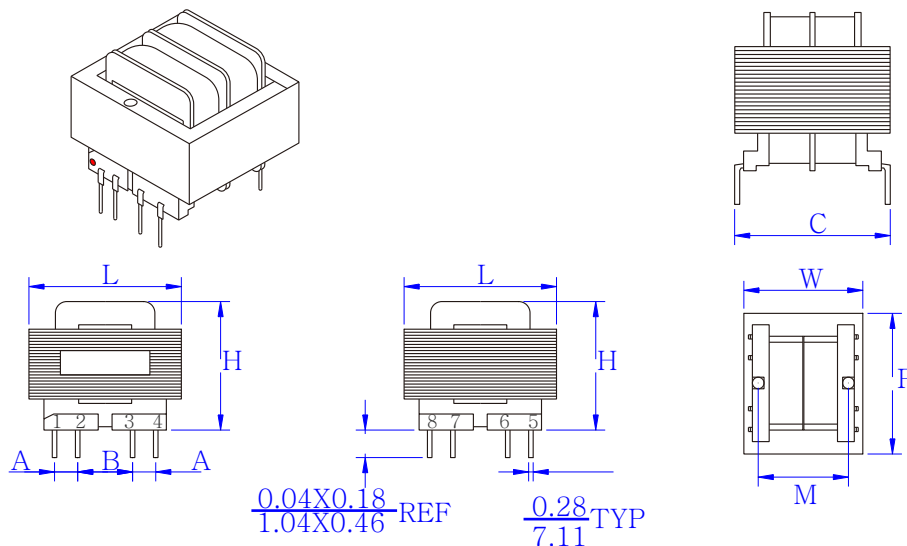
特性

- 符合UL 安规要求
- 介电强度 :2500Vrms
- 温度等级:B 级(130 °C)
- 多种的输入选择: 100V/110V/115V/120V/220V/230V/240V/480V/50/60Hz
- 单组 双组或多组输出
- 功率范围1.1VA至600VA
- 钢片尺寸范围: 从EI28至EI133
- 安装方式: 插针式 底板(铁桥)式或根据客户要求订制

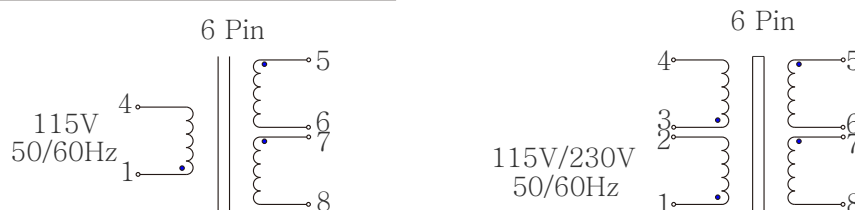
PCB TRANSFORMERS

VA	L	W	H	M	A	B	C	Output Voltage (V)	Weight (g)
1.1	35.5MAX	30.0MAX	24.0MAX	--	6.35	6.35	30.99	5-36	77
2.4	35.5MAX	30.0MAX	30.5MAX	--	6.35	6.35	30.99	5-36	113
6	41.8MAX	34.0MAX	36.5MAX	27	6.35	6.89	32.51	5-36	200
12	48.5MAX	40.5MAX	36.5MAX	32	7.62	10.16	35.56	5-36	316
20	57.5MAX	48.0MAX	36.5MAX	38	7.62	10.16	40.39	5-36	362

OUTLINE DIMENSIONS



ELECTRICAL SCHEMATIC



HEFEI SHIRUI ELECTRONIC TECHNOLOGY CO.,LTD

sales@shiruitech.com
www.shiruitech.com