

BALUN TRANSFORMERS

SR0801 SERIES



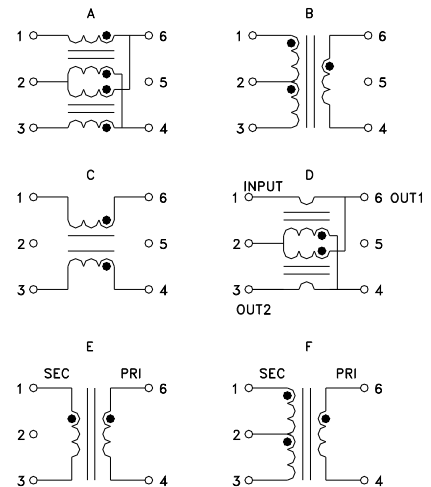
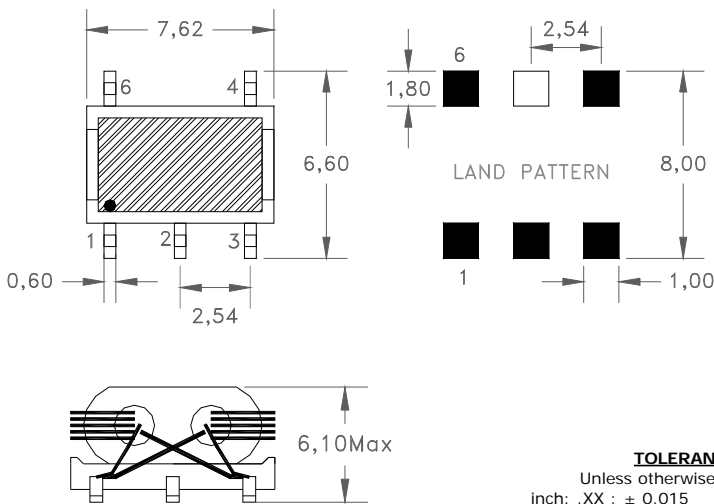
- Ideal for use in Wideband Transformer applications
- Bandwidth available from 1MHz up to 1200MHz
- Operating Temperature: -40°C to +85°C
- RoHS Compliant Product
- Custom Design Available

ELECTRICAL SPECIFICATION @ 25°C

PART NO	IMPEDANCE RATIO Pri : Sec ±10%	BAND WIDTH MHz Typ	INSERTION LOSS dB Max Center Freq	Pri OCL (μH) Min 4-6	Pri DCR (Ω) Max 4-6	Sec OCL (μH) Min 1-3	Sec DCR (Ω) Max 1-3	Schematic
1-1L	1:1	4-600	0.40	10.0	0.120	10.0	0.120	E
1-1TL	1:1	3.5-750	0.58	11.0	0.075	11.0	0.075	F
2-1TL	1:2	4-500	0.50	10.0	0.120	20.0	0.150	F
3-1TL	1:3	4-900	0.60	9.0	0.100	27.0	0.150	F
4-1TL	1:4	3.2-750	1.00	12.0	0.055	48.0	0.120	F
4-14TL	1:4	16-1200	2.00	2.0	0.050	8.0	0.100	F
4-1WL	1:4	6.5-1000	0.90	5.0	0.060	20.0	0.120	F
4-6TL	1:4	4.5-700	0.30	9.0	0.120	36.0	0.200	F
8-1L	1:8	1.5-600	0.60	22.0	0.080	176.0	0.310	F
9-1L	1:9	4.5-500	0.54	9.0	0.060	81.0	0.230	F
16-1TL	1:16	6.5-600	0.80	5.0	0.060	80.0	0.230	F

Mechanical

Schematic



Product performance is limited to specified parameter. Data is subject to change without prior notice.

SR0801
0918AL



SHIRUI

HEFEI SHIRUI ELECTRONIC TECHNOLOGY CO.,LTD

sales@shiruitech.com
www.shiruitech.com

Balun Transformers

SR0801 SERIES



- Ideal for use in Double Balanced Mixer, Frequency Mixer, Transmission Line, and Splitter/Directional Coupler applications
- Operating Temperature: -40°C to +85°C
- RoHS Compliant Product
- Custom Design Available Upon Request

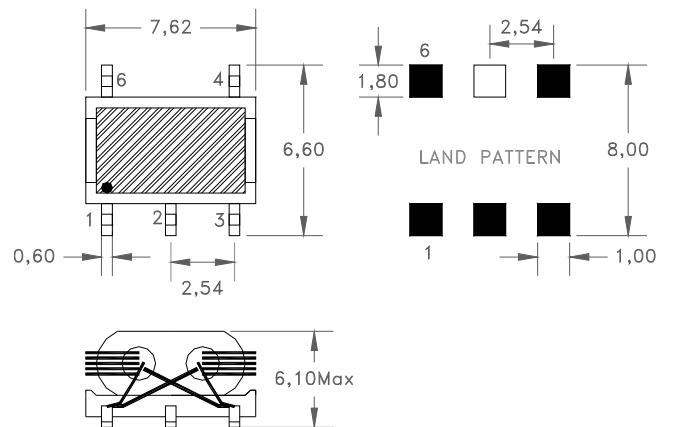
ELECTRICAL SPECIFICATION @ 25°C

PART NO	TURNS	FREQUENCY RESPONSE	INSERTION LOSS	Schematic
SR0801	(ref only)	MHz Typ	dB Max	
Double Balanced Mixer (50Ω:200Ω) (6-4:1-3)				
3A	3	15-1000	3	A
4A	4	10-800	3	A
5A	5	6-600	3	A
6A	6	1-400	3	A
Frequency Mixer (50Ω:200Ω) (6-4:1-2-3)				
2B	2:4CT	10-300	3	B
3B	3:6CT	6-480	3	B
4B	4:8CT	3-400	3	B
5B	5:10CT	0.5-300	3	B
Transmission line				
2C	2½	15-2400	3	C
3C	3½	10-1800	3	C
4C	4½	7.5-1500	3	C
5C	5½	1.0-1400	3	C
Splitter/Directional Coupler				
3D	3	45-1500	in-out1, 2dB in-out2, 10dB	D
4D	4	8-1200	in-out1, 1.5dB in-out2, 14dB	D
5D	5	5-1100	in-out1, 1.2dB in-out2, 16dB	D
10D	10	1-1000	in-out1, 1.5dB in-out2, 19dB	D

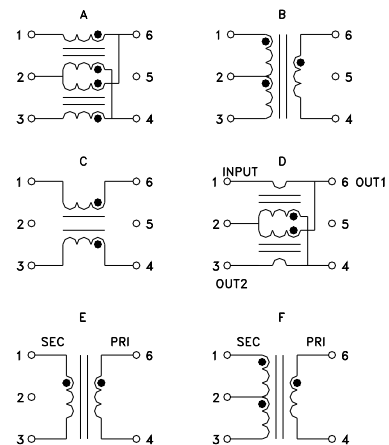
TOLERANCE

Unless otherwise specified
 inch: .XX : ± 0.015 .XXX : ± 0.004
 mm: X,X : ± 0,38 X,XX : ± 0,10

Mechanical



Schematic



Product performance is limited to specified parameter. Data is subject to change without prior notice.

SR0801
0918AL



SHIRUI

HEFEI SHIRUI ELECTRONIC TECHNOLOGY CO.,LTD

sales@shiruitech.com
www.shiruitech.com