

SIZE E25

3 or 1 OUTPUTS: 5+ 12/12v or 24v

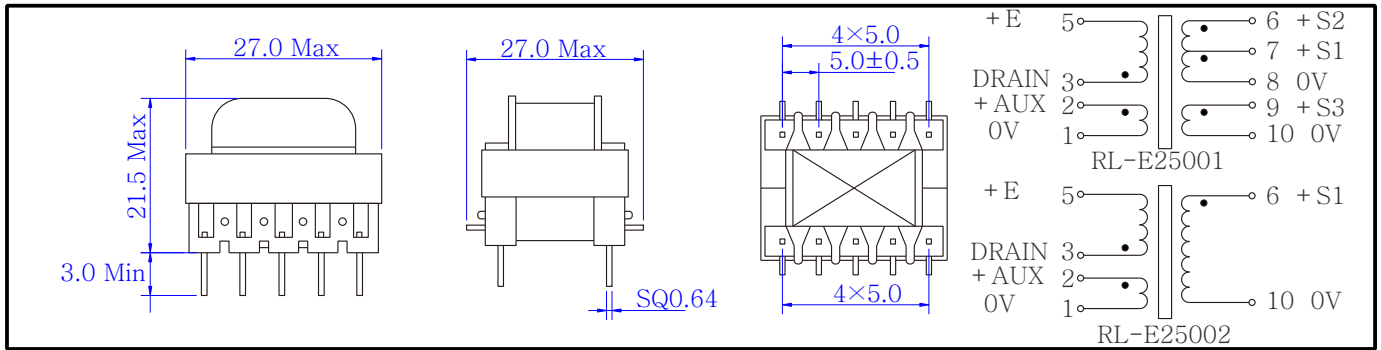
PIN 4 Removed
PCB Hole Diameter=1.4mm

Part NO.	Output Power Maximum	Windings				Inductance (+/-10%)	Ambient Temperature	Frequency
			Pins	Voltage	Current Maximum			
SR-E25001	30w	Pri	3-5	185-265Vrms	1.5Apeak	750 μH	<50°C	132KHZ
		Aux	2-1	7-14.5Vdc	1Adc			
		S1	7-8	3.3-7Vdc	3Adc			
		S2	6-8	8-16Vdc	1.5Adc			
		S3	9-10	8-16Vrms	1.5Apeak			
SR-E25002	35w	Pri	3-5	185-265Vdc	1.1Adc	1100μH	<50°C	132KHZ
		Aux	2-1	8-16Vdc	1Adc			
		S1	6-10	8-17Vrms	1.4Adc			

NOTE for uc-e25001:S2 and S3 can be connected in series or in parallel

OUTLINE DIMENSIONS

SCHEMATIC



SIZE ERL28

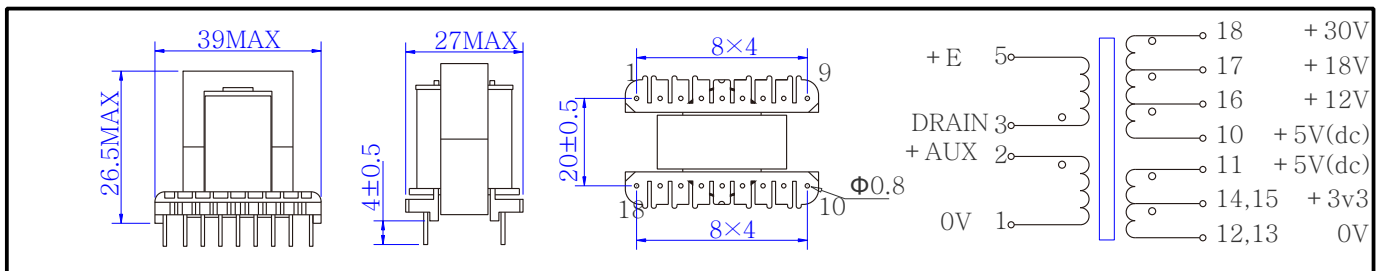
5 OUTPUT: 3.3/5/12/18/30v

PCB Hole Diameter=1.3mm

Part NO.	Output Power Maximum	Windings				Inductance (+/-10%)	Ambient Temperature	Frequency
			Pins	Voltage	Current Maximum			
SR-ER2801	60w	Pri	5-1	185-265Vrms	3.0Apeak	500 μH	< 50 °C	60or 32KHZ
		Aux	8-9	15Vdc	0.5Adc			
		S1	14+ 15/12+ 13	3.3Vdc	7Adc			
		S2	11/12+ 13	5Vdc	Sum S1+ S2			
		S3	16-10	12Vdc	2Adc			
		S4	17-10	18Vdc	2Adc			
		S5	18-10	30Vdc	0.5Adc			

OUTLINE DIMENSIONS

SCHEMATIC



PCB Hole Diameter=1.3mm



HEFEI SHIRUI ELECTRONIC TECHNOLOGY CO.,LTD

sales@shiruitech.com
www.shiruitech.com