

SIZE E19

2 OUTPUT:5 or 12v

PCB Hole Diameter=1.1mm

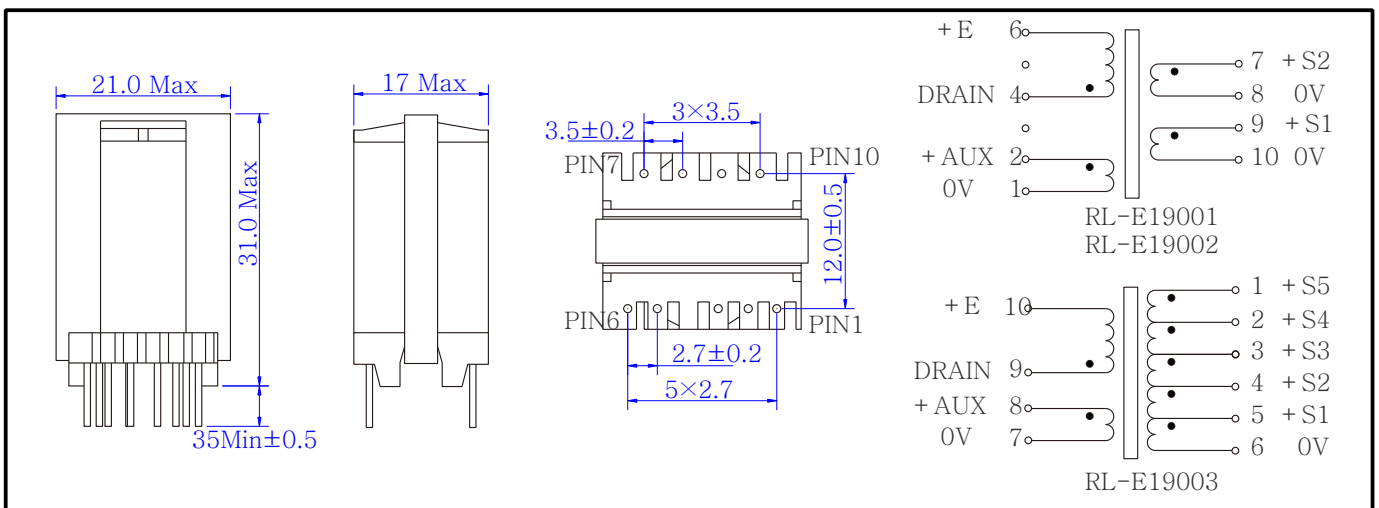
| Part NO. | Output Power Maximum | Windings | | | | Inductance (+/-10%) | Ambient Temperature | Frequency |
|-----------|----------------------|----------|------|-------------|-----------------|---------------------|---------------------|-----------|
| | | | Pins | Voltage | Current Maximum | | | |
| SR-E19001 | 18w | Pri | 4-6 | 85-265Vrms | 0.8Apeak | 1250μH | <50°C | 132KHZ |
| | | Aux | 2-1 | 7-12Vdc | 0.1A dc | | | |
| | | S1 | 9-10 | 3.3-7Vdc | 1.3A dc | | | |
| | | S2 | 7-8 | 8-16.5Vdc | 1.4A dc | | | |
| SR-E19002 | 18w | Pri | 4-6 | 185-265Vrms | 1.1Apeak | 900μH | <50°C | 100KHZ |
| | | Aux | 2-1 | 7-12Vdc | 0.1A dc | | | |
| | | S1 | 9-10 | 3.3-7Vdc | 3A dc | | | |
| | | S2 | 7-8 | 8-16.5Vdc | 1.4Apeak | | | |

5 OUTPUT:3.3/5/12/18/30v

| Part NO. | Output Power Maximum | Windings | | | | Inductance (+/-10%) | Ambient Temperature | Frequency |
|-----------|----------------------|----------|---------|------------|-----------------|---------------------|---------------------|-----------|
| | | | Pins | Voltage | Current Maximum | | | |
| SR-E19003 | 16w | Pri | 9-10 | 85-265Vrms | 0.85Apeak | 1250μH | <50°C | 132KHZ |
| | | Aux | 8-7 | 15Vdc | 0.2A dc | | | |
| | | S1 | 5-6 | 5Vdc | 2A dc | | | |
| | | S2 | 4-6 | 3.3Vdc | Sum S1+S2 | | | |
| | | S3 | 3-6 | 12Vdc | 0.8Apeak | | | |
| | | S4 | 2-6 | 18Vdc | 0.8A dc | | | |
| S5 | 1-6 | 30Vdc | 0.2A dc | | | | | |

OUTLINE DIMENSIONS

SCHEMATIC



PCB Hole Diameter=1.1mm



HEFEI SHIRUI ELECTRONIC TECHNOLOGY CO.,LTD

sales@shiruitech.com
www.shiruitech.com