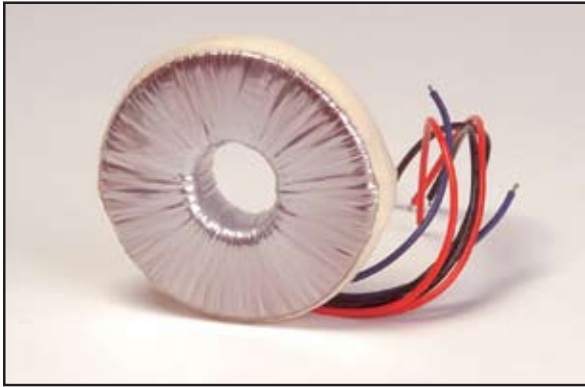


# Power in the Round 100 VA to 2000 VA



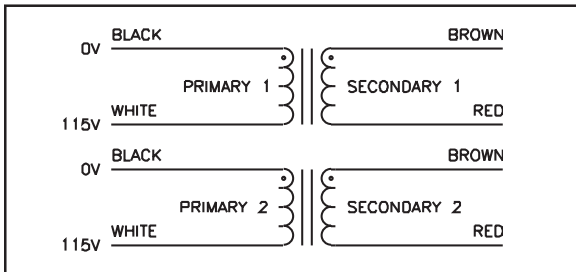
The STP series of transformers offer VA power ranges from 100 VA to 2000 VA inclusive. These standard transformer products share common lead lengths, colors, mounting configurations and more. The STP series are designed to comply with international safety standards.

### Benefits

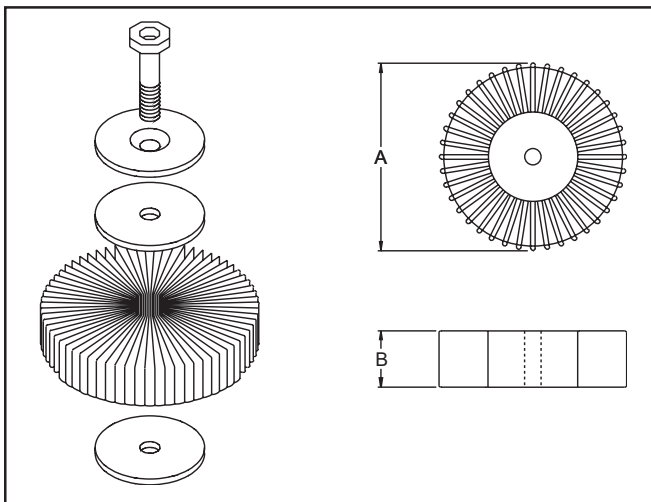
- Minimal core losses
- Low profile
- Power/mass efficient
- Reduced EMI
- Low dB
- RoHS compliant

### General Specifications

- Power - 100 VA to 2000 VA
- Dual Primaries - 2 x 115 V - 50/400 Hz
- Dual Secondaries - Standard outputs 2 x 115V with multiple output configurations available
- Connections: 12.0" color-coded stranded leads
- Supplied with mounting hardware set; screw, nut, top plate and 2 rubber pads.
- Insulation System - Class B, 130° C
- Component certifications for North American and IEC/EN standards available on request
- UL recognized to UL 506 / UL 5085, File # E63829
- Custom designs available on request



Part Number <sup>1</sup>	Power Range	Dimensions <sup>2</sup> Inches (mm)		Weight	Recommended Fastener Size
	VA	A	B	lbs (kg)	
SR-0100-2115	100	4.2 (105)	1.4 (35)	2.86 (1.3)	#8
SR-0150-2115	150	4.6 (116)	1.7 (42)	4.40 (2.0)	#10
SR-0200-2115	200	4.8 (120)	1.9 (48)	5.30 (2.4)	1/4"
SR-0250-2115	250	5.0 (127)	2.0 (50)	6.40 (2.9)	1/4"
SR-0300-2115	300	5.1 (128)	2.2 (55)	7.0 (3.2)	1/4"
SR-0400-2115	400	5.3 (133)	2.8 (70)	10.3 (4.7)	5/16"
SR-0500-2115	500	5.6 (140)	2.9 (72)	12.1 (5.5)	3/8"
SR-0600-2115	600	6.1 (155)	2.9 (72)	14.8 (6.7)	3/8"
SR-0800-2115	800	6.7 (170)	2.9 (72)	18.0 (8.2)	3/8"
SR-1000-2115	1000	7.1 (180)	3.1 (78)	22.1 (10.0)	3/8"
SR-1200-2115	1200	7.8 (198)	3.2 (80)	29.5 (13.4)	3/8"
SR-1600-2115	1600	8.3 (210)	3.4 (86)	35.3 (16.0)	1/2"
SR-2000-2115	2000	9.2 (232)	3.6 (90)	44.1 (20.0)	1/2"
	TBD	TBD	TBD	TBD	Custom per customer spec



Custom versions available upon request.



HEFEI SHIRUI ELECTRONIC TECHNOLOGY CO.,LTD

sales@shiruitech.com  
www.shiruitech.com