

10BASE-T DUAL PORT THROUGH HOLE TRANSFORMERS

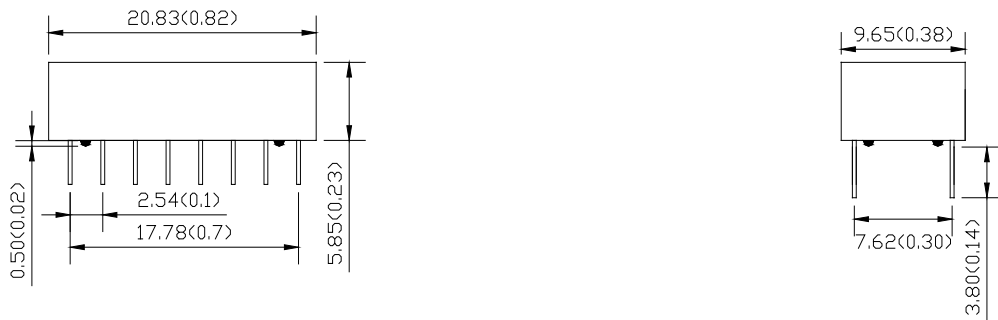
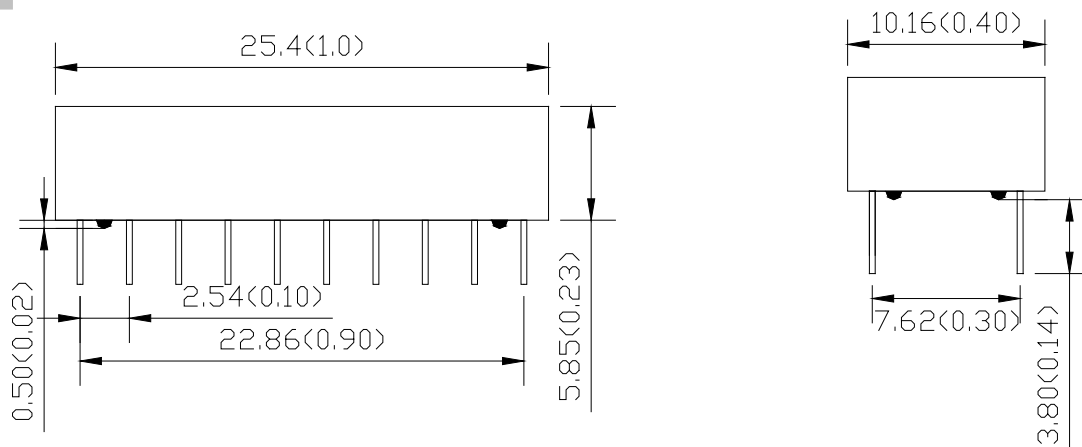
Features:

- Designed to meet IEEE 802.3 requirements.
- Designed for multipoint repeater & switching, ethernet hub applicatic

Specifications: at 25 degree C.

Part NO	Pri.OCL uH min.	Leakage Inductance LL uH max	Turn Ratio TX,RX	C _{ww} pF.max	DCR ohm max	Isolations V _{rms}	Package
SR-HST-68810	140	0.60	1:1,1:1	17	0.50	600	a
SR-HST-68811	160	0.60	1:1,1:1	17	0.50	600	a
SR-HST-68812	180	0.60	1CT:1,1CT:1	17	0.50	1000	b
SR-HST-68813	180	0.60	1CT:1,1CT:1	17	0.50	1500	b

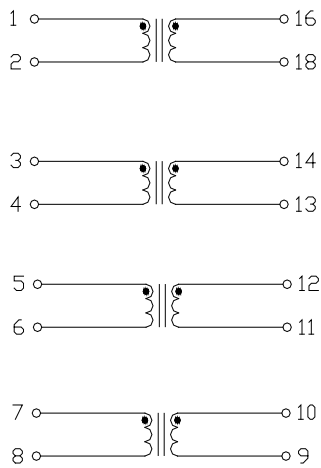
Dimension:mm(inch)+/-0.25(0.01)

a

b


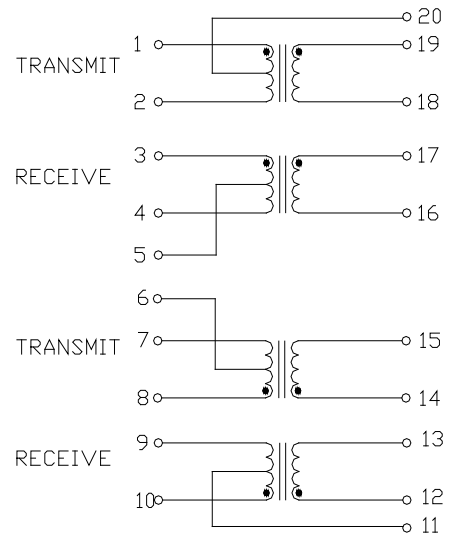
10BASE-T DUAL PORT THROUGH

Schematic:

A



B



C

