

## 10/100BASE-TX QUAD PORT SMT TRANSFORMERS

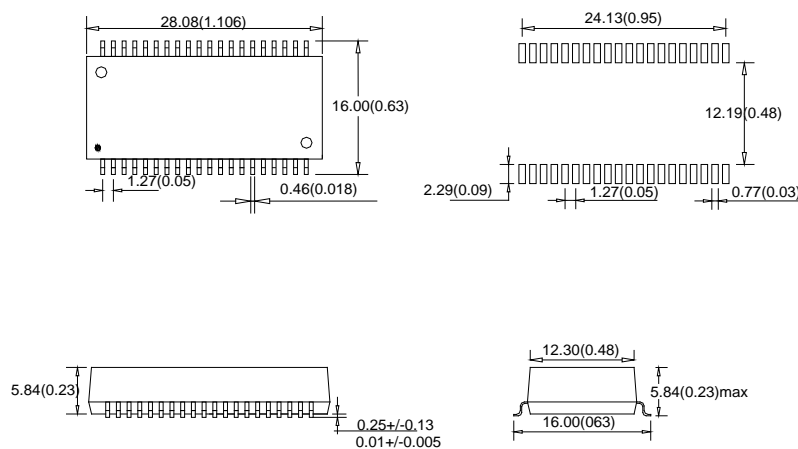
**Features:**

- Designed to meet IEEE 802.3 requirements.
- Designed for multiport repeater & ethernet switching hub application.
- Environmental: Designed to meet IR 250 degree C for 1minute.
- Primary inductance (LP): 350uH, min. @100KHz, 0.1Vrms, 8mA .

Electrical Specification @25°C Operating Temperature 0 to 70°C

Part No.	Turn Ratio RX .TX.	Insertion loss (dB max) 1-125MHz	Return Loss(dB min .) MHz				CMRR (dB typ .) MHz	Crosstalk (dB min .) MHz	Isolation Voltage (Vrms)
			1-30	40	50	60-80			
SR-HST-1036	1:1 1CT:1CT	-1.1	-18	-15.5	-13.6	-12	-40	-38	1500
SR-HST-1074	1:1 2CT:1CT	-1.1	-18	-15.5	-13.6	-12	-40	-38	1500
SR-HST-1062	1:1 1CT:1CT	-1.1	-18	-15.5	-13.6	-12	-40	-38	1500
SR-HST-1053	1:1 1CT:1CT	-1.1	-18	-15.5	-13.6	-12	-40	-38	1500
SR-HST-1044	1:1 1CT:1CT	-1.1	-18	-15.5	-13.6	-12	-40	-38	1500
SR-HST-1045	1:1 1CT:1CT	-1.1	-18	-15.5	-13.6	-12	-40	-38	1500
SR-HST-1046	1:1 1CT:1CT	-1.1	-18	-15.5	-13.6	-12	-40	-38	1500
SR-HST-1060	1:1 1CT:1CT	-1.1	-18	-15.5	-13.6	-12	-40	-38	1500
SR-HST-1071	1:1 1CT:1CT	-0.5	-21	-17	-14.5	-12	-40	-30	1500

**Dimension:**mm(inch)+/-0.25(0.01)

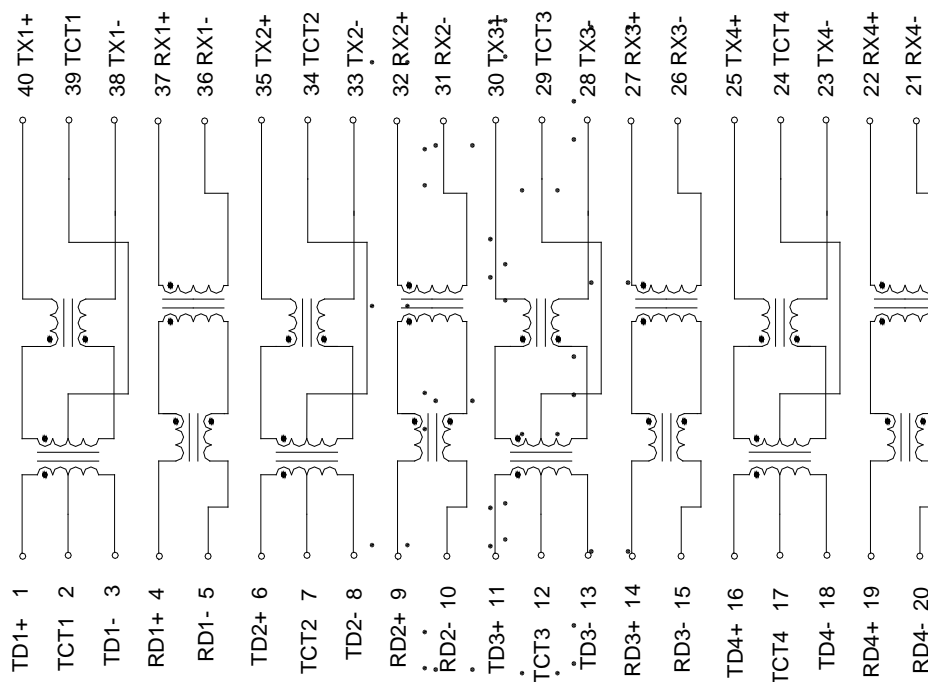


## 10/100BASE-TX QUAD PORT SMT TRANSFORMERS

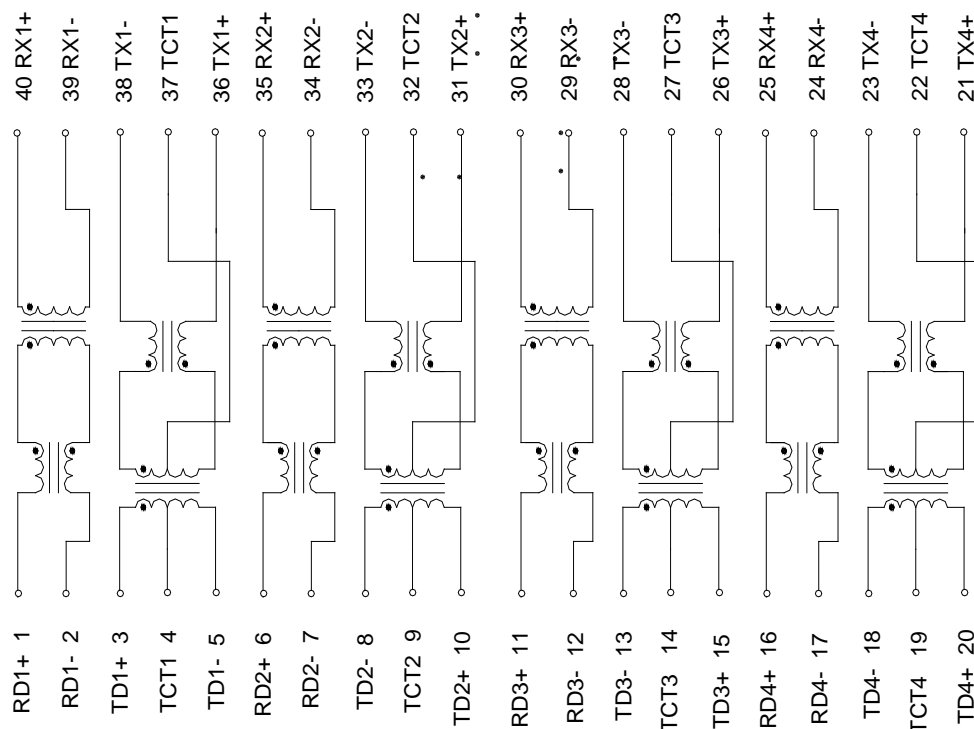
### Schematic:

RL-HST-1036

RL-HST-1074



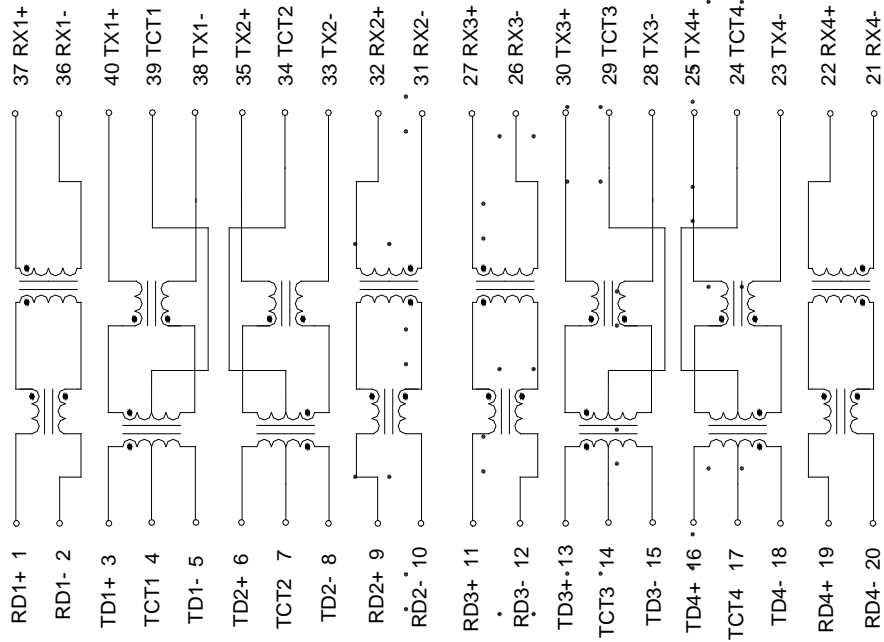
RL-HST-1062



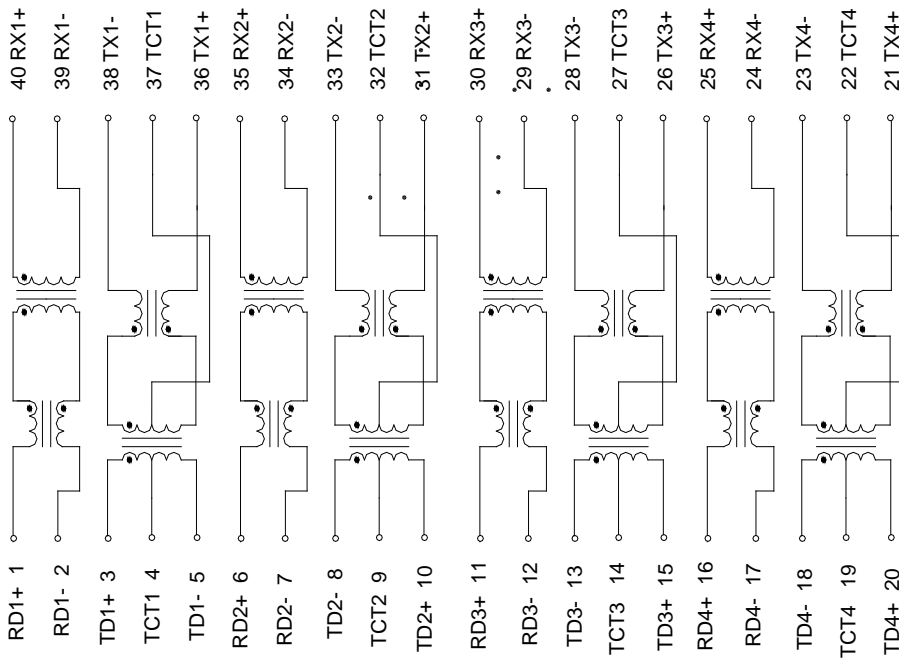
## 10/100BASE-TX QUAD PORT SMT TRANSFORMERS

### Schematic:

RL-HST-1053



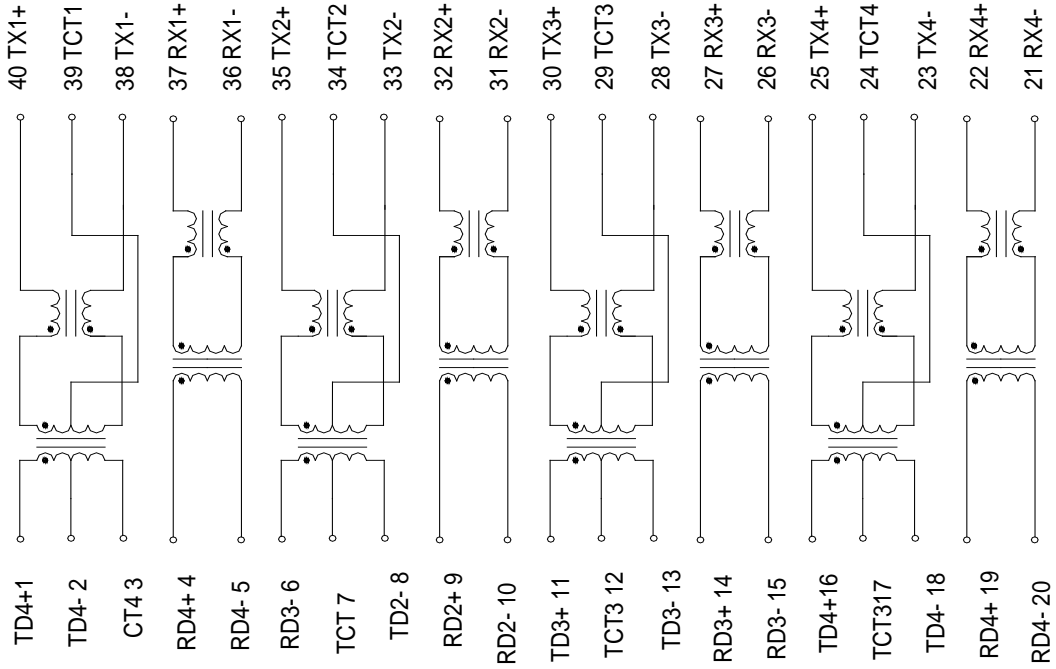
RL-HST-1044



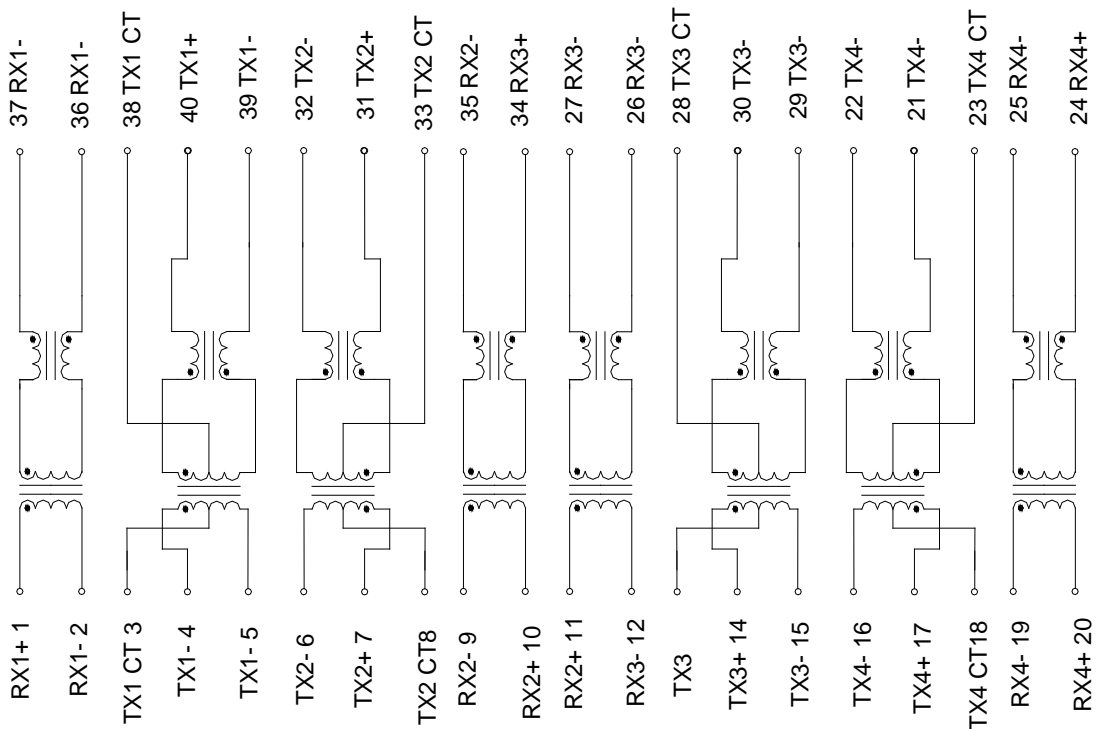
## 10/100BASE-TX QUAD PORT SMT TRANSFORMERS

### Schematic:

RL-HST-1045



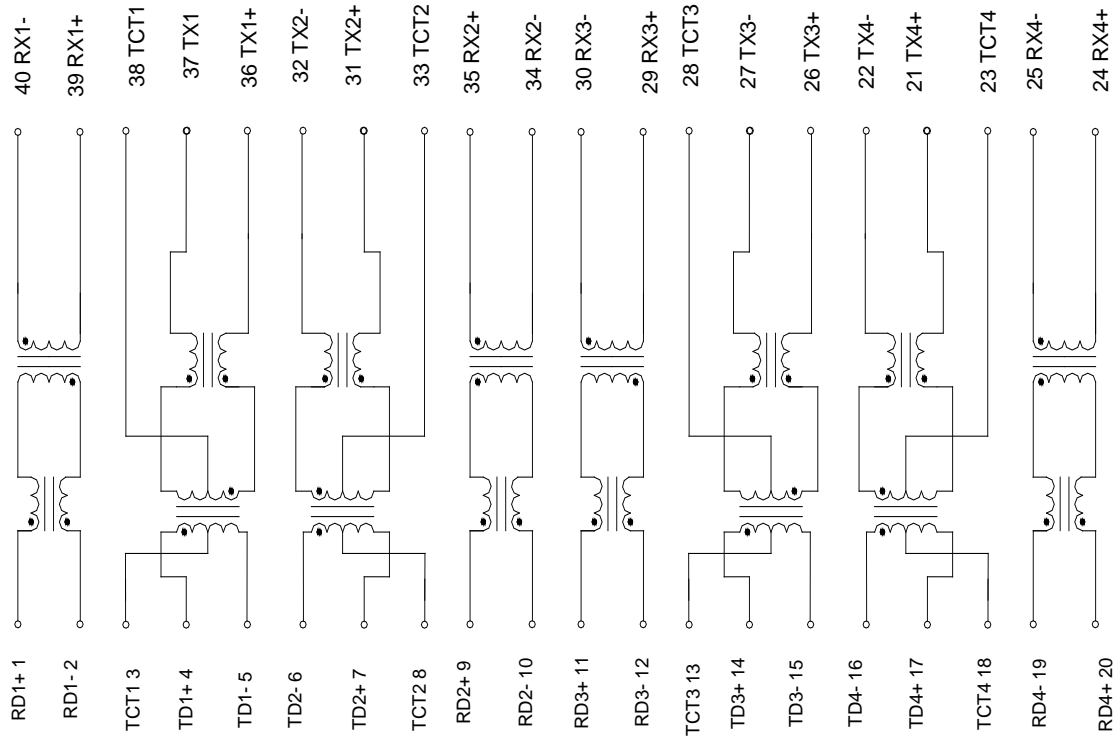
RL-HST-1046



## 10/100BASE-TX QUAD PORT SMT TRANSFORMERS

### Schematic:

RL-ML1060



RL-ML1071

