

Encapsulated Transformers



Type: EE20/06

Hefei Shirui Electronic Technology Co.,Ltd

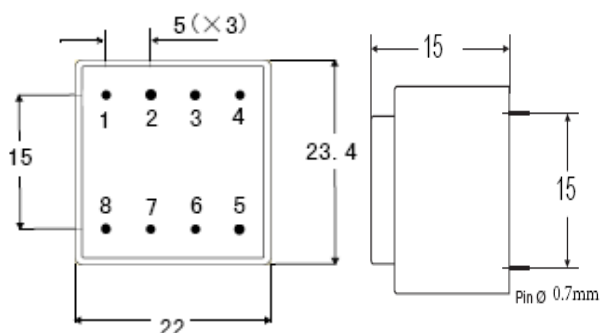
0.35VA/0.45VA

- CE approved
- Potted under vacuum
- Dielectric strength—4000Vrms
- High ambient operation temperature(+70°C max)
- Insulation class—Class B(130°C)

Customer demand is our developing engine

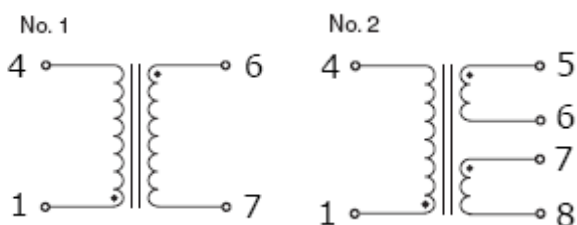


Dimension (mm)



Empty pin shall be omitted if necessary

Circuit Diagram



| Primary (230V) | Primary (115V) | Secondary (V/m A) | Power (VA) | Circuit Diagram |
|----------------|----------------|-------------------|------------|-----------------|
| EE2006001 | EE2006101 | 6/58 | 0.35 | 1 |
| EE2006002 | EE2006102 | 6/75 | 0.45 | 1 |
| EE2006003 | EE2006103 | 9/39 | 0.35 | 1 |
| EE2006004 | EE2006104 | 9/50 | 0.45 | 1 |
| EE2006005 | EE2006105 | 12/29 | 0.35 | 1 |
| EE2006006 | EI2006106 | 12/38 | 0.45 | 1 |
| EE2006007 | EE2006107 | 15/23 | 0.35 | 1 |
| EE2006008 | EE2006108 | 15/30 | 0.45 | 1 |
| EE2006009 | EE2006109 | 18/19 | 0.35 | 1 |
| EE2006010 | EE2006110 | 18/25 | 0.45 | 1 |
| EE2006011 | EE2006111 | 24/15 | 0.35 | 1 |
| EE2006012 | EI2006112 | 24/19 | 0.45 | 1 |
| EE2006013 | EI2006113 | 2×6/29 | 0.35 | 2 |
| EE2006014 | EE2006114 | 2×6/38 | 0.45 | 2 |
| EE2006015 | EE2006115 | 2×9/19 | 0.35 | 2 |
| EE2006016 | EE2006116 | 2×9/25 | 0.45 | 2 |
| EE2006017 | EE2006117 | 2×12/15 | 0.35 | 2 |
| EE2006018 | EE2006118 | 2×12/19 | 0.45 | 2 |
| EE3005019 | EE2006119 | 2×15/12 | 0.35 | 2 |
| EE2006020 | EE2006120 | 2×15/15 | 0.45 | 2 |
| EE2006021 | EE2006121 | 2×18/10 | 0.35 | 2 |
| EE2006022 | EE2006122 | 2×18/13 | 0.45 | 2 |
| EE2006023 | EE2006123 | 2×24/7 | 0.35 | 2 |
| EE2006024 | EE2006124 | 2×24/9 | 0.45 | 2 |

Provide customized transformer

TEL:86-551-65547975 FAX:86-551-65546304

www.shiruitech.com E-mail:sales@shiruitech.com