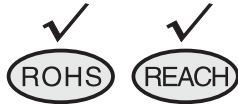
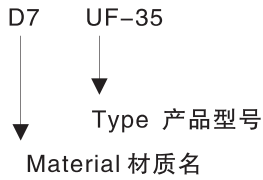


SPLIT CORE FOR ROUND CABLE

UF 系列



ORDERING CODE 产品识别码

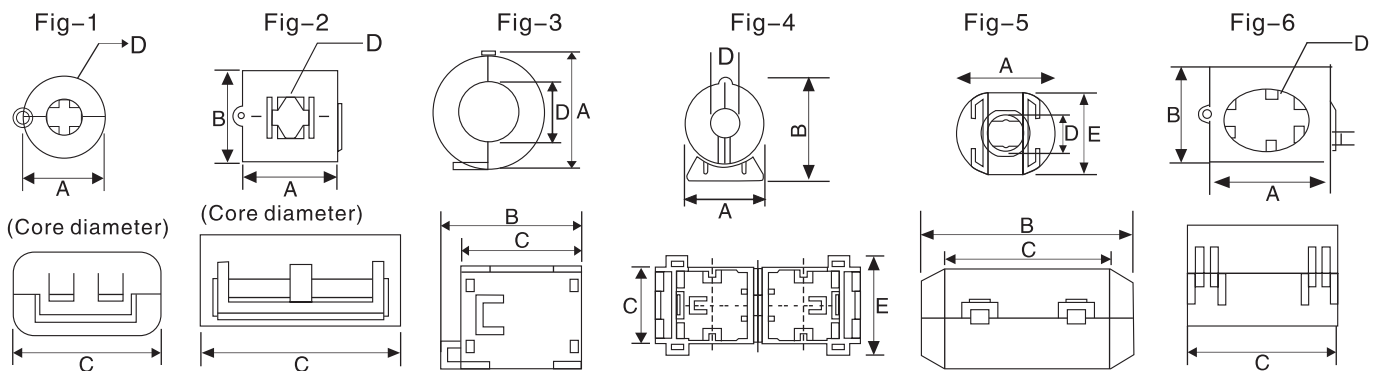


APPLICATION应用:

- ◆ Internal and external power cables.
内外主电源线滤波。
- ◆ Internal cables between PC boards and connectors.
排线连接器。

Dimension range尺寸范围:

Outer diameter(A) 外径 13 ~ 29
Height(C) 高度 13 ~ 32.5



TYPE UNIT	A mm	B mm	C mm	D mm	E mm	IMPEDANCE		Fig
						25MHZ	100MHZ	
UF-30	12 ± 1.0	21.5 ± 1.0	11.5 ± 1.0	4 ± 1.0		50	110	5
UF-35	13 ± 1.0	25.2 ± 1.0	20 ± 1.0	5 ± 1.0	11.5 ± 1.0	90	130	5
UF-35B	13 ± 1.0	25.2 ± 1.0	20 ± 1.0	5 ± 1.0	11.5 ± 1.0	55	130	5
UF-50	16 ± 1.0		29.5 ± 1.0	5 ± 1.0		60	120	1
UF-65	17.5 ± 1.0	19.5 ± 1.0	32.5 ± 1.0	6.5 ± 1.0		120	230	2
UF-70	15.4 ± 1.0	22 ± 1.0	17.7 ± 1.0	7.4 ± 1.0		35	60	3
UF-70(B)	17 ± 1.0	30 ± 1.0	15 ± 1.0	7 ± 1.0		50	110	5
UF-90A	20 ± 1.0	35.4 ± 1.0	31 ± 1.0	9.4 ± 1.0		60	130	3
UF-90B	19.5 ± 1.0	35 ± 1.0	28 ± 1.0	9 ± 1.0	17.4 ± 1.0	60	130	5
UF-100	22 ± 1.0	23 ± 1.0	32.5 ± 1.0	10 ± 1.0		90	180	2
UF-130	29 ± 1.0	30 ± 1.0	32 ± 1.0	13 ± 1.0		120	200	2
UF-190	29.3 ± 1.0	31.8 ± 1.0	31.8 ± 1.0	19.8 ± 1.0		45	105	6
UF-1330A	30 ± 1.0	39 ± 1.0	34 ± 1.0	13 ± 1.0		55	110	3
UF-1330B	23 ± 1.0	36 ± 1.0	30 ± 1.0	13 ± 1.0		50	125	5
UFR16x13x8	19.8 ± 1.0	23.4 ± 1.0	16.5 ± 1.0	8 ± 1.0	22.9 ± 1.0	35	80	4
UFR16x16x8	19.8 ± 1.0	23.4 ± 1.0	19.5 ± 1.0	8 ± 1.0	25.9 ± 1.0	40	100	4
UFR20x10x10	24 ± 1.0	28 ± 1.0	13 ± 1.0	10 ± 1.0	19.5 ± 1.0	35	70	4
UFR24x14x11	28 ± 1.0	32 ± 1.0	17.5 ± 1.0	11.4 ± 1.0	23.9 ± 1.0	40	90	4
UFR25x12x15	28.5 ± 1.0	32.5 ± 1.0	15.4 ± 1.0	13.6 ± 1.0	21.8 ± 1.0	30	60	4

Remarks: 1. Other sizes are available upon request if your needs not listed in the catalog.



SHIRUI

HEFEI SHIRUI ELECTRONIC TECHNOLOGY CO.,LTD

sales@shiruitech.com

www.shiruitech.com