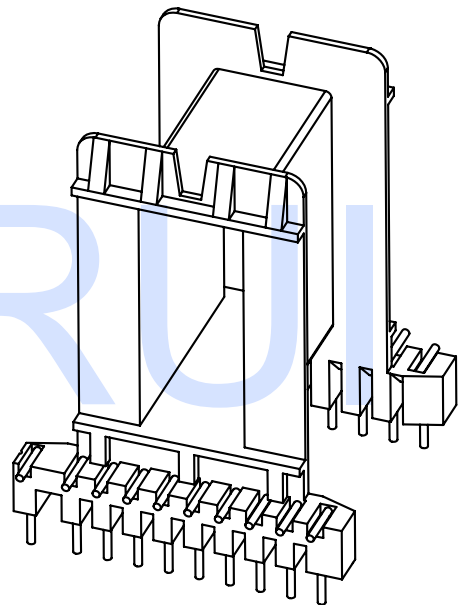
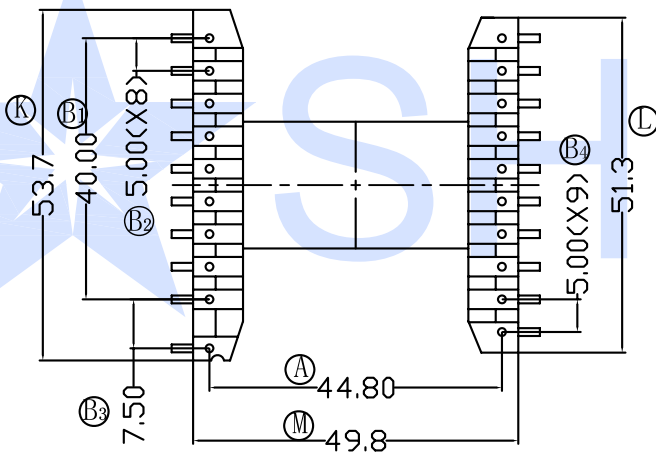
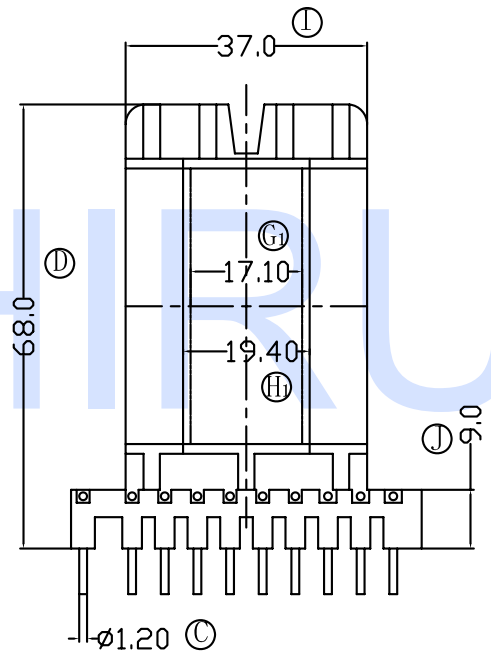
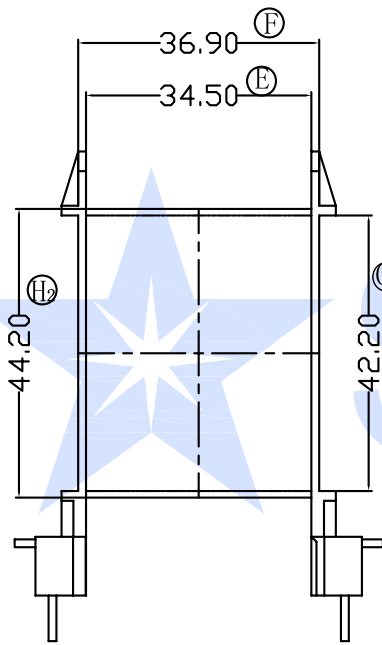


P/N

SR-EE 5501



**Hefei Shirui Electronic Technology Co., Ltd**

TEL:(0086) 55165232650

sales@shiruitech.com

www.shiruitech.com

TEL:(0086) 55165232650

sales@shiruitech.com

www.shiruitech.com

SR NO.

SR-EE 5501

MATERIAL:

PHENOLIC

UNIT: mm

TOLERANCE

DRN.

WILL H

MODEL NAME!

EE55-(10+10P)-1S H  
Dual-core

UL REC: UL 94V-0

0 L ≤4 ±0.10

CHD.

IRINA LEE

ANGLE: ±°

4 L ≤6 ±0.20

ISSD.

JAMES HU



16 L ≤64 ±0.30

PIN PITCH ±0.05

SCALE 1:1