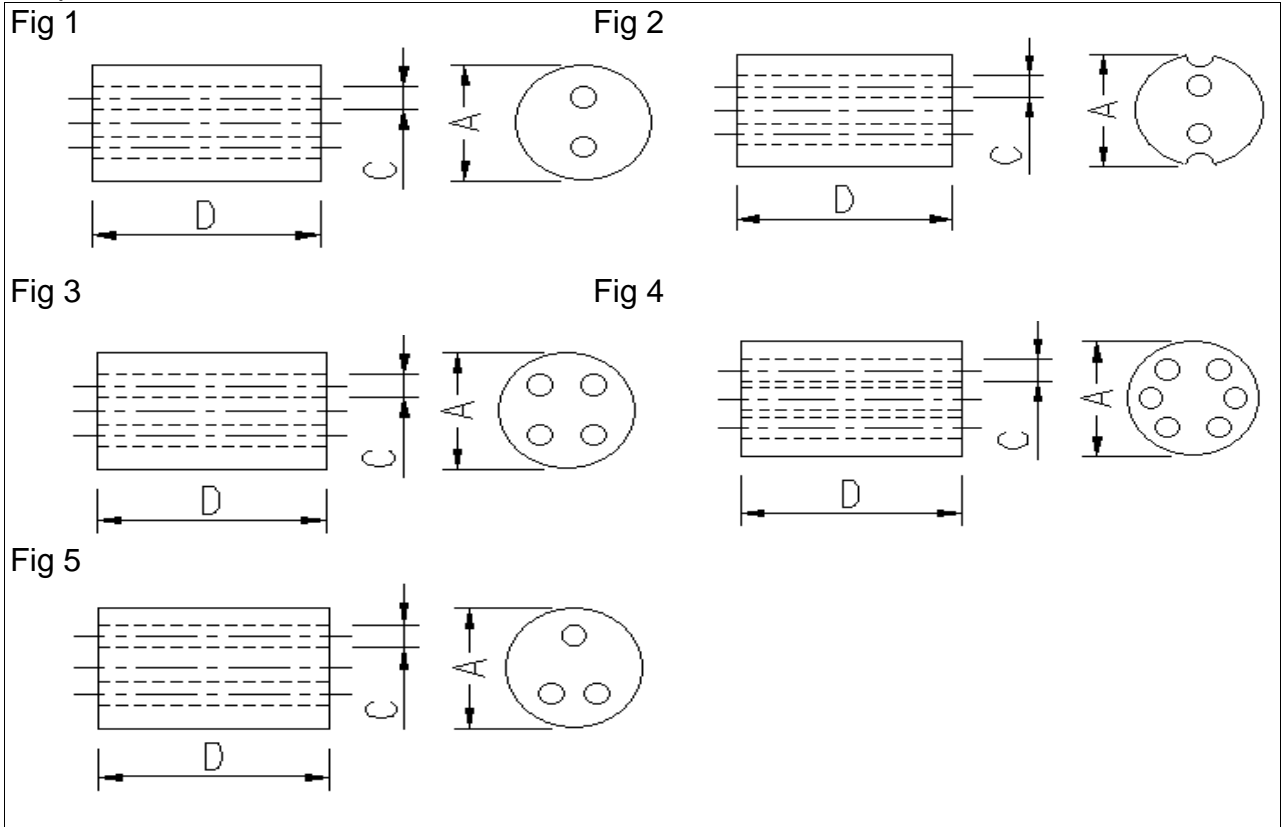
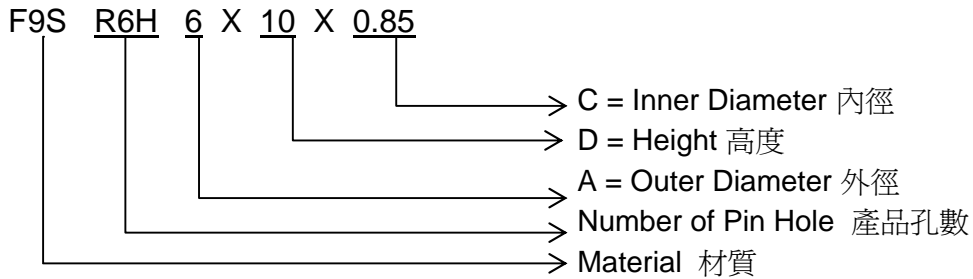


# Balun Core ( RHH,R3H,R4H & R6H Type )

## 1. Shape 形狀



## 2. Ordering Code 編碼規則



## 3. Dimensions 尺寸 ( mm )

Core Size \ Conf.	A	C	D	Fig
RHH 5.5x4.3x1.3	5.5±0.3	1.3±0.15	4.3±0.3	2
RHH 5.5x5.0x1.5	5.5±0.3	1.5±0.15	5.0±0.3	2
RHH 5.5x7.0x1.0	5.5±0.3	1.0±0.15	7.0±0.3	2
RHH 6.45x5.0x1.8	6.45±0.3	1.8±0.15	5.0±0.3	2
RHH 7.0x3.0x1.8A	7.0±0.3	1.8±0.15	3.0±0.3	1
RHH 7.0x5.5x1.5A	7.0±0.3	1.5±0.15	5.5±0.3	1
RHH 7.0x5.5x1.8B	7.0±0.3	1.8±0.15	5.5±0.3	1
RHH 7.0x6.0x1.8A	7.0±0.3	1.8±0.15	6.0±0.3	1
RHH 7.22x5.5x1.8	7.22±0.3	1.8±0.15	5.5±0.3	2
R3H 16.0x28.0x5.0	16.0±0.5	5.0±0.3	28.0±0.7	5
R4H 8.0x3.5x1.3	8.0±0.3	1.3±0.15	3.5±0.3	3
R4H 8.0x5.0x1.2	8.0±0.3	1.2±0.15	5.0±0.3	3
R6H 6.0x10.0x0.85	6.0±0.3	0.85±0.15	10.0±0.4	4