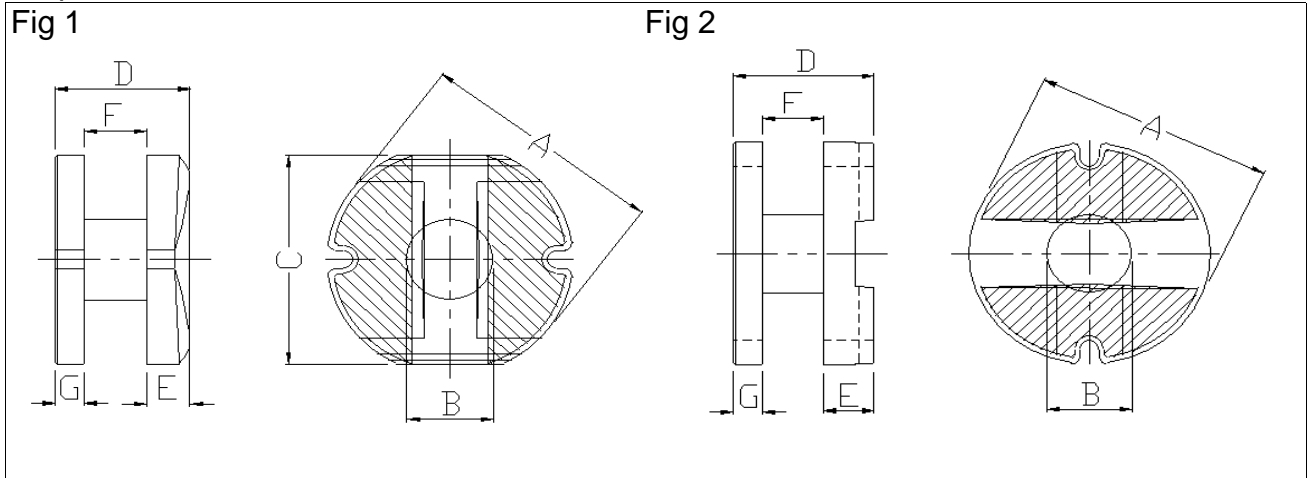
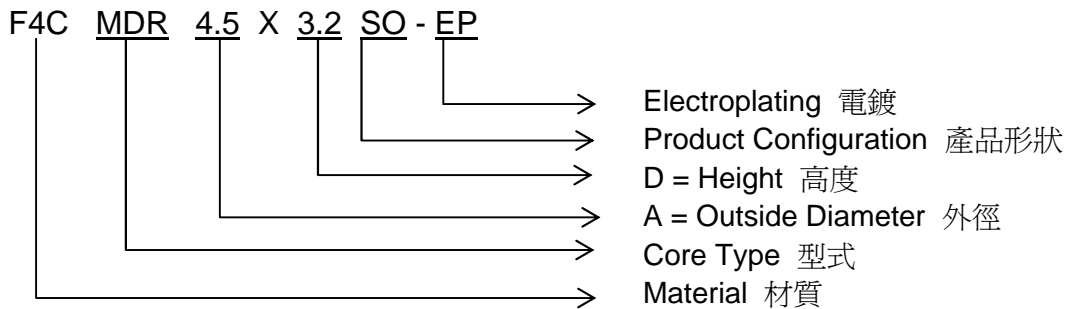


MDR Core

1. Shape 形狀



2. Ordering Code 編碼規則



3. Dimensions 尺寸 (mm)

| Core Size | Conf. | A | B | C | D | E | F | G | Fig |
|--------------------|-------|----------|----------|-----------|-----------|----------|----------|----------|-----|
| MDR 3.5x1.6SOEP | | 3.5±0.15 | 1.3±1.5 | 3.09±0.15 | 1.6±0.15 | 0.45±0.1 | 0.8±0.1 | 0.35±0.1 | 1 |
| MDR 3.5x2.1SOEP | | 3.5±0.15 | 1.5±0.15 | 3.09±0.15 | 2.1±0.15 | 0.65±0.1 | 1.0±0.15 | 0.45±0.1 | 1 |
| MDR 4.5x3.2SOEP | | 4.5±0.15 | 1.8±0.15 | 4.0±0.15 | 3.2±0.15 | 1.1±0.15 | 1.5±0.15 | 0.6±0.1 | 1 |
| MDR 5.8x1.95SOEP | | 5.8±0.15 | 2.5±0.15 | 5.2±0.15 | 1.95±0.15 | 0.8±0.1 | 0.65±0.1 | 0.5±0.1 | 1 |
| MDR 5.8x4.5SOEP | | 5.8±0.15 | 2.8±0.15 | 5.2±0.15 | 4.5±0.15 | 1.3±0.15 | 2.4±0.15 | 0.8±0.1 | 1 |
| MDR 7.8x3.5SOEP | | 7.8±0.2 | 3.0±0.15 | 7.0±0.2 | 3.5±0.15 | 1.2±0.15 | 1.5±0.15 | 0.8±0.1 | 1 |
| MDR 7.8x5.0SOEP | | 7.8±0.2 | 3.0±0.15 | 7.0±0.2 | 5.0±0.15 | 1.4±0.15 | 2.6±0.15 | 1.0±0.15 | 1 |
| MDR 10.0x4.0SOEP | | 10.0±0.2 | 3.6±0.15 | 9.0±0.2 | 4.0±0.15 | 1.3±0.15 | 1.7±0.15 | 1.0±0.15 | 1 |
| MDR 10.0x5.4SOEP | | 10.0±0.2 | 5.0±0.15 | 9.0±0.2 | 5.4±0.15 | 1.7±0.15 | 2.5±0.15 | 1.2±0.15 | 1 |
| MDR 7.8x5.0SO(C)EP | | 7.8±0.2 | 3.0±0.15 | | 5.0±0.15 | 1.4±0.15 | 2.6±0.15 | 1.0±0.15 | 2 |
| | | | | | | | | | |
| | | | | | | | | | |
| | | | | | | | | | |
| | | | | | | | | | |
| | | | | | | | | | |
| | | | | | | | | | |
| | | | | | | | | | |
| | | | | | | | | | |
| | | | | | | | | | |
| | | | | | | | | | |
| | | | | | | | | | |
| | | | | | | | | | |