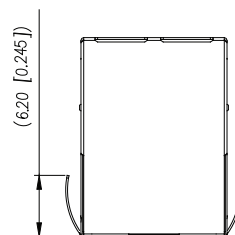
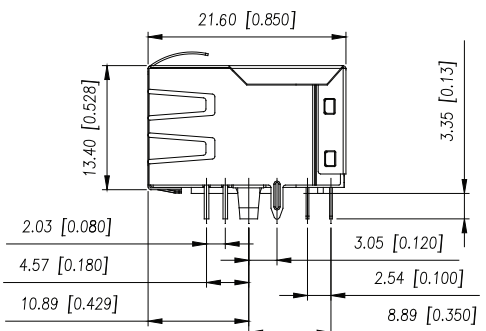
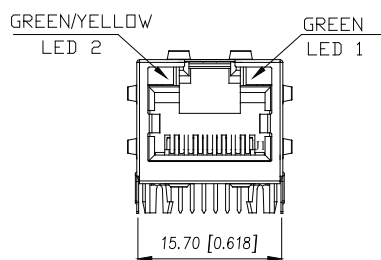
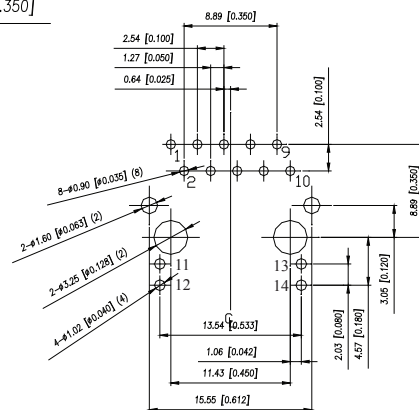


RJ45 Connector RMS-192A-10H6-2G-H



Feature:

- Complies with IEEE standards and all Gigabit specifications including 350uH with 8mA DC bias
- Intergrated Mag-modular design provides higher reliability and conserves minimizing PCB space
- Housing: Thermoplastic PBT+30%GF UL94V0 rated
- Contact :Phosphor Bronze C5191,Thickness=0.35mm plated Nickel 30u" Min, Gold plated on content area 6u" Min
- Input Terminal : Brass ,Thickness=0.35mm Finish : 120μ" min Tin over 50μ" min Nickel
- Metal shielding:Copper alloy with Nickel plated(C2680), Thickness=0.20mm Ni 30u" Min
- Different color of LEDs option available
- Operating temperature:0°C to +70°C
- Storage temperature: -40°C to +85°C



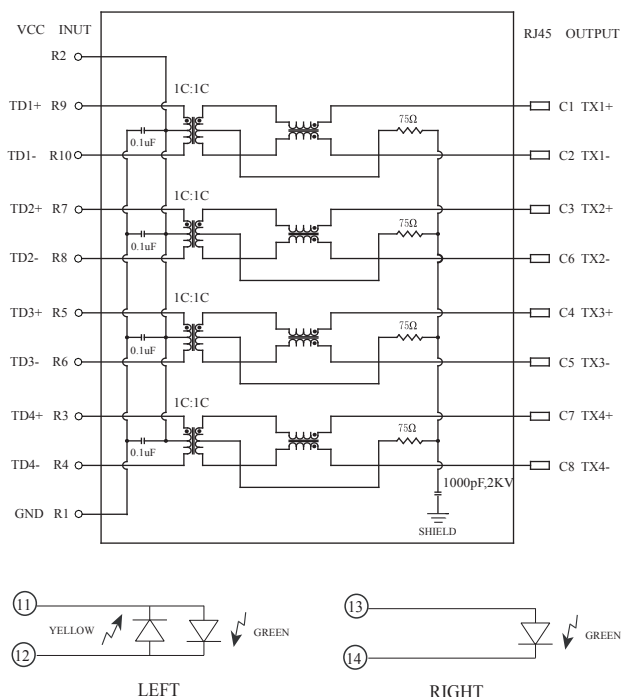
SUGGESTED PCB LAYOUT
(TDP VIEW)
DIMENSIONAL TOLERANCE: .XX ±0.05(0.001)

Electrical Specifications: (25°C)

1. Turns Ratio: @50KHz,0.1V: 1 : 1 ±5%	4. Common Mode Rejection: @1~100MHz: -30dB Min
2. Insertion Loss: @1~80MHz : -1.0dB Max @ 100MHz:-1.2dB Max	@200MHz: -20dB Min
3. Return Loss: @1~30MHz : -20dB Min @ 60~80MHz : -12dB Min	5. Crosstalk: @1~100MHz : -35dB Min
	6. OCL: @100KHz, 0.1V 8mADC : 350uH Min
	7. Hi-Pot : 1200VAC, 1mA, 1Sec

Lead-free process,compliant RoHS

SCHEMATIC



Scale:Do not scale DWG	Unspecified tolerance		Title	RJ45 Connector
Unit :inch/mm	.xx +/-	.xxx+/- .010[0.25]	Manufacture P/N	RMS-192A-10H6-2G-H
Prepared BY : X.J.Fang	.xxxx+/- .0050[0.13]		Part NO.	N/A
Approved BY :			Sheet 1 of 1	REV. 01