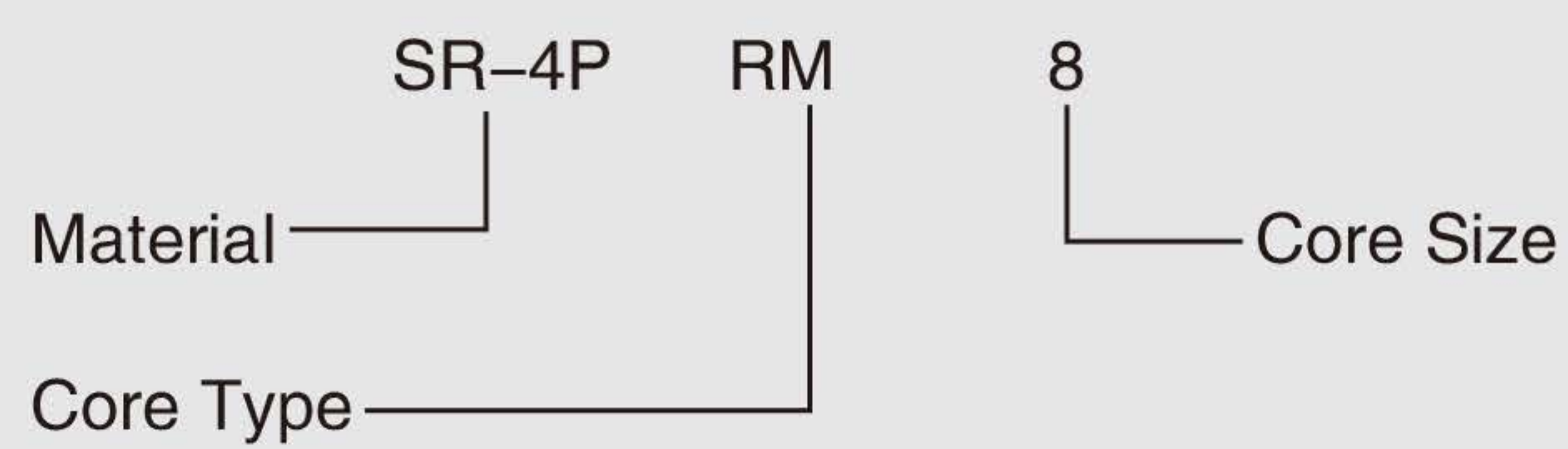


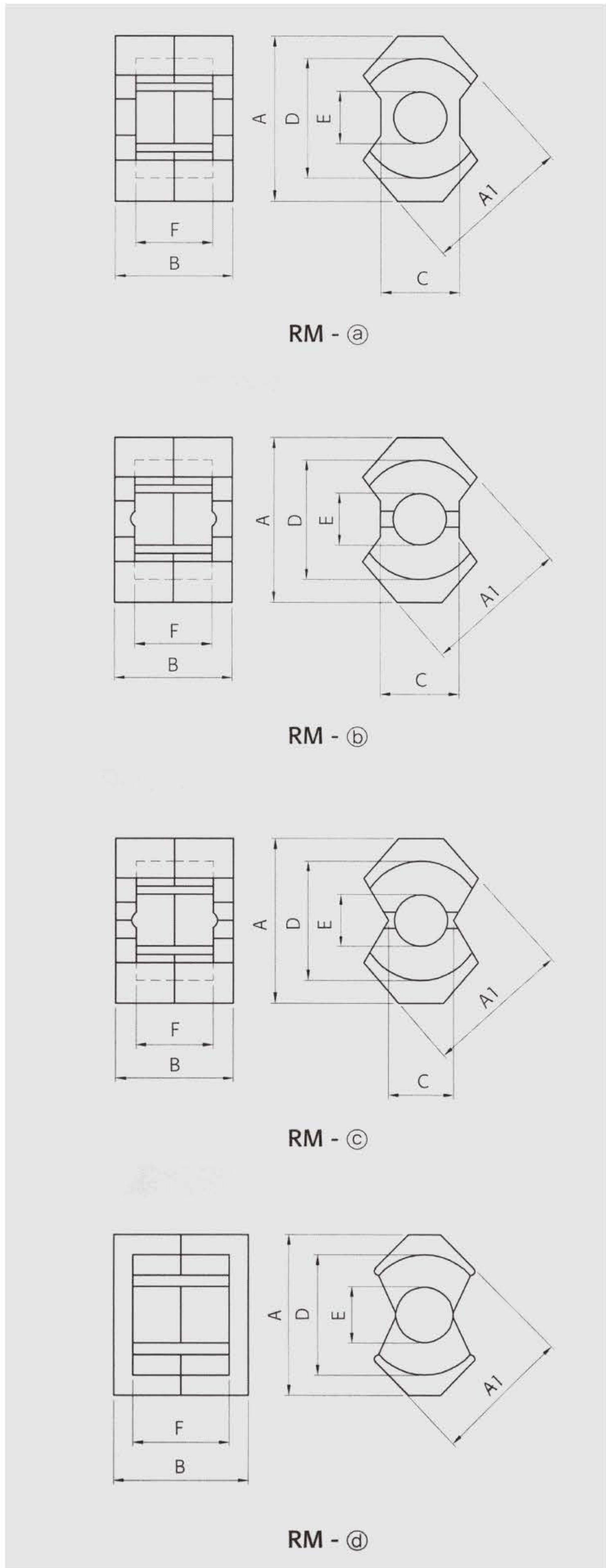
RM CORES

RM4~RM14

Ordering Code System



RM CORES



Part No.		RM4	RM5	RM6	
Type		RM-Ⓐ	RM-Ⓐ	RM-Ⓒ	
尺寸 Dimensions in mm	A	10.80 ± 0.20	14.30 ± 0.30	17.60 ± 0.30	
	A1	9.60 ± 0.20	12.05 ± 0.25	14.40 ± 0.30	
	B	10.40 ± 0.20	10.40 ± 0.20	12.40 ± 0.20	
	C	4.50 ± 0.20	6.60 ± 0.20	8.00 ± 0.20	
	D	8.15 ± 0.20	10.40 ± 0.20	12.65 ± 0.25	
	E	3.80 ± 0.20	4.80 ± 0.20	6.30 ± 0.20	
	F	7.20 ± 0.20	6.50 ± 0.20	8.20 ± 0.20	
磁芯参数 Core Set Parameters	C1(mm ⁻¹)	1.7	0.9	0.780	
	Le(mm)	22.0	22.1	28.6	
	Ae(mm ²)	13.0	23.8	36.6	
	Ve(mm ³)	286	526	1050	
	Ac(mm ²)	11.3	18.0	31.1	
	Aw(mm ²)	15.7	18.2	26.0	
	W(g/set)	1.7	3	5.5	
电气特性 Electrical Characteristics ⁽¹⁾⁽²⁾	AL value	SR-4P	1150	2000	2400
		SR-2P	1100	2300	2800
		SR-5P	1100	2100	2500
		SR-6P	1280	2670	3200
		SR-7K	3300	6000	7200
		SR-10K	3600	6600	7900
	Core loss	SR-121L	0.20	0.35	7490Min
		SR-4P	0.20	0.35	0.63
		SR-2P	0.20	0.32	0.60
		SR-5P	0.18	0.32	0.58
		SR-6P	0.18	0.32	0.56

Note: 1)Core Loss
 -Unit:Watt max.
 -Measuring conditions
 SR-4P,SR-5P:100kHz,200mT,at 100°C
 SR-2P,SR-6P:100kHz,200mT,at 80°C

2)AL value
 -Unit:nH/N²
 -Measuring conditions:1kHz,0.25V25°C
 -Tolerance: ± 25%
 -HX-10K:Non mirror grinding

Part No.		RM7	RM8	RM10	RM10N	RM12	RM14	
Type		RM-④	RM-⑥	RM-⑥	RM-⑥	RM-⑥	RM-⑥	
尺寸 Dimensions in mm	A	19.90 ± 0.40	22.75 ± 0.45	27.85 ± 0.65	27.85 ± 0.65	36.85 ± 0.75	41.60 ± 0.60	
	A1	16.85 ± 0.35	19.30 ± 0.40	24.15 ± 0.40	24.15 ± 0.55	29.20 ± 0.40	34.15 ± 0.65	
	B	13.40 ± 0.20	16.40 ± 0.20	18.60 ± 0.20	18.70 ± 0.30	24.50 ± 0.20	30.10 ± 0.20	
	C		10.80 ± 0.20	13.25 ± 0.25	13.25 ± 0.25	15.85 ± 0.25	18.70 ± 0.30	
	D	14.75 ^{+0.65} _{-0.00}	17.30 ± 0.30	21.65 ± 0.45	21.65 ± 0.45	25.45 ± 0.55	29.50 ± 0.50	
	E	7.10 ± 0.15	8.40 ± 0.15	10.70 ± 0.20	10.70 ± 0.20	12.60 ± 0.20	14.75 ± 0.25	
	F	8.65 ± 0.25	11.00 ± 0.20	12.70 ± 0.30	12.90 ± 0.30	17.10 ± 0.30	21.10 ± 0.30	
磁芯参数 Core Set Parameters	C1(mm ⁻¹)	0.700	0.590	0.450	0.484	0.390	0.350	
	Le(mm)	30.4	38.0	44.0	44.3	57.0	70.0	
	Ae(mm ²)	43.0	64.0	98.0	91.6	146.0	200.0	
	Ve(mm ³)	1340	2430	4310	4059	8340	14000	
	Ac(mm ²)	39.6	55.4	89.8	89.9	124.0	170.0	
	Aw(mm ²)	34.5	48.9	69.5	69.5	110.0	155.0	
	W(g/set)	7.7	12	22.5	21.2	46.2	73	
电气特性 Electrical Characteristics ⁽¹⁾⁽²⁾	AL value	SR-4P	3095	3300	4700	3900	5300	6000
		SR-2P	3600	3900	5700	4200	6400	7300
		SR-5P	3200	3400	4400	4000	5500	6300
		SR-6P	4050	4370	6290	4690	7040	8000
		SR-7K	8100	7500	13400	12000	13000	14800
		SR-10K	8900	8300	14700	13200	14300	16300
	Core loss	SR-4P	0.80	1.46	2.59	2.70	5.00	8.40
		SR-2P	0.78	1.40	2.47	2.55	4.79	7.90
		SR-5P	0.74	1.34	2.37	2.40	4.59	7.70
		SR-6P	0.71	1.29	2.28	2.30	4.42	7.42