

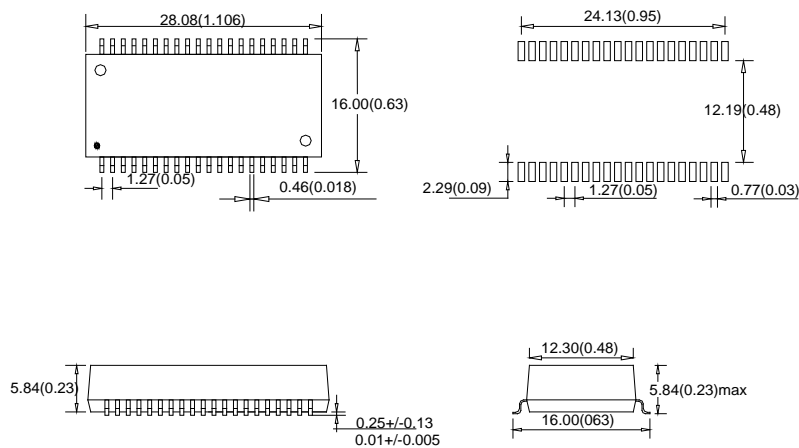
10/100BASE-TX QUAD PORT SMT TRANSFORMERS

Features:

- Designed to meet IEEE 802.3 requirements.
- Designed for multiport repeater & ethernet switching hub
- Environmental: Designed to meet IR 250 degree C for 1r
- Primary inductance (LP): 350uH, min. @100KHz, 0.1Vrms,

Electrical Specification @25°C Operating Temperature 0 to 70°C								
Part No.	Turn Ratio RX .TX.	Insertion loss (dB max) 1-125MHz	Return Loss(dB min .) MHz				CMRR (dB typ .) MHz	Crosstalk (dB min .) MHz
			1-30	40	50	60-80		
SR-HST-1044	1:1 1CT:1CT	-1.1	-18	-15.5	-13.6	-12	-40	-38
SR-HST-1045	1:1 1CT:1CT	-1.1	-18	-15.5	-13.6	-12	-40	-38

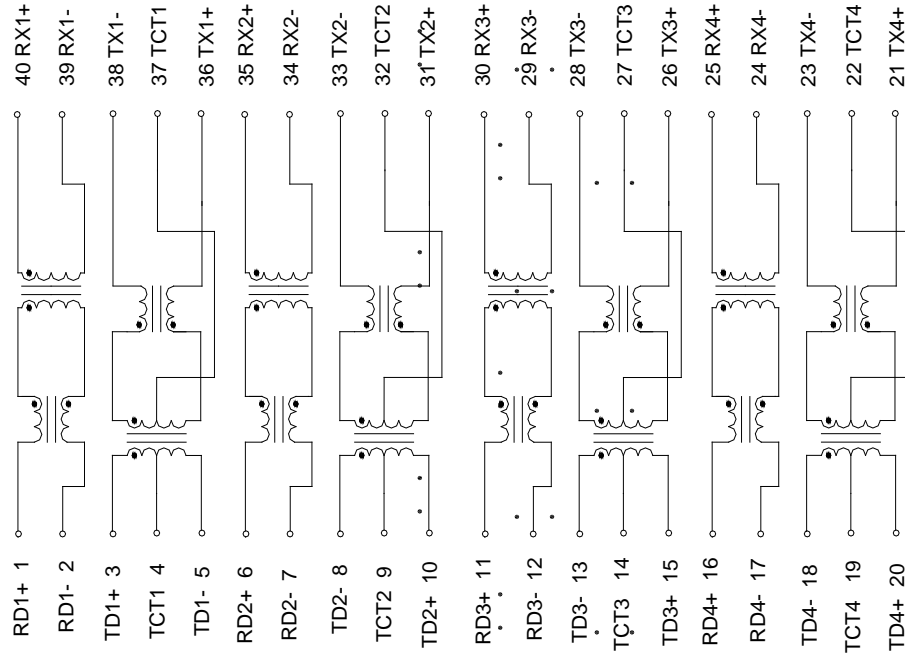
Dimension: mm(inch)+/-0.25(0.01)



10/100BASE-TX QUAD PORT SMT TRANSFORMERS

Schematic:

RL-HST-1044



RL-HST-1045

