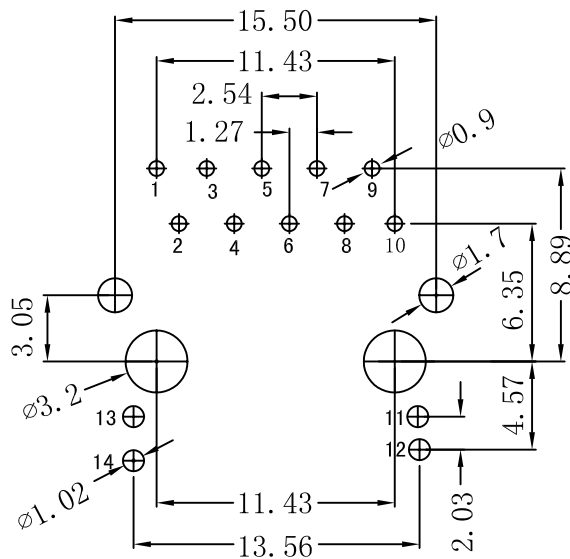
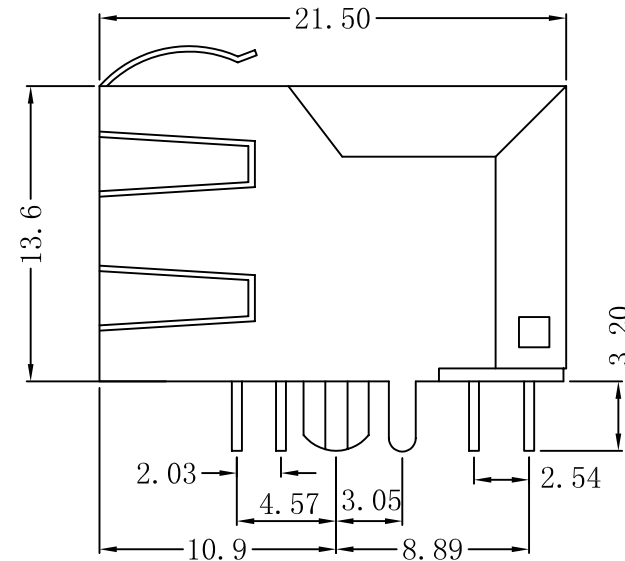
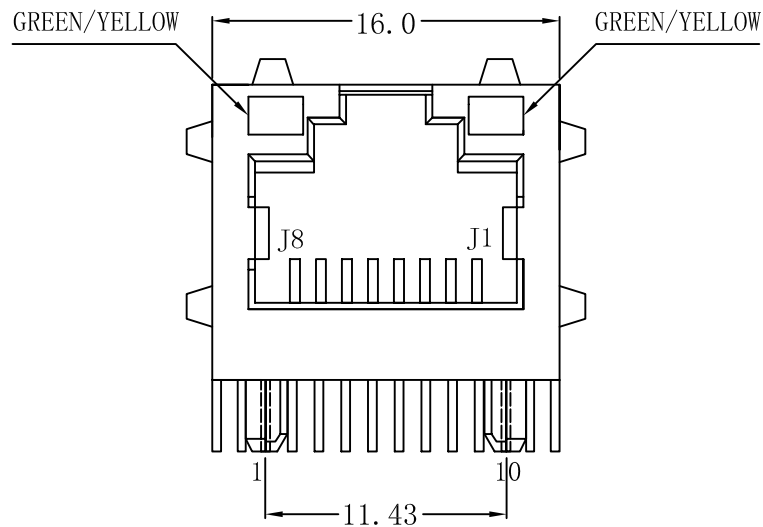


Mechanical:

REV.	ECN NO.	DESCRIPTION	DATE	APPD
A	REL		23/04/2011	



Suggested PCB Layout (TOP VIEW)



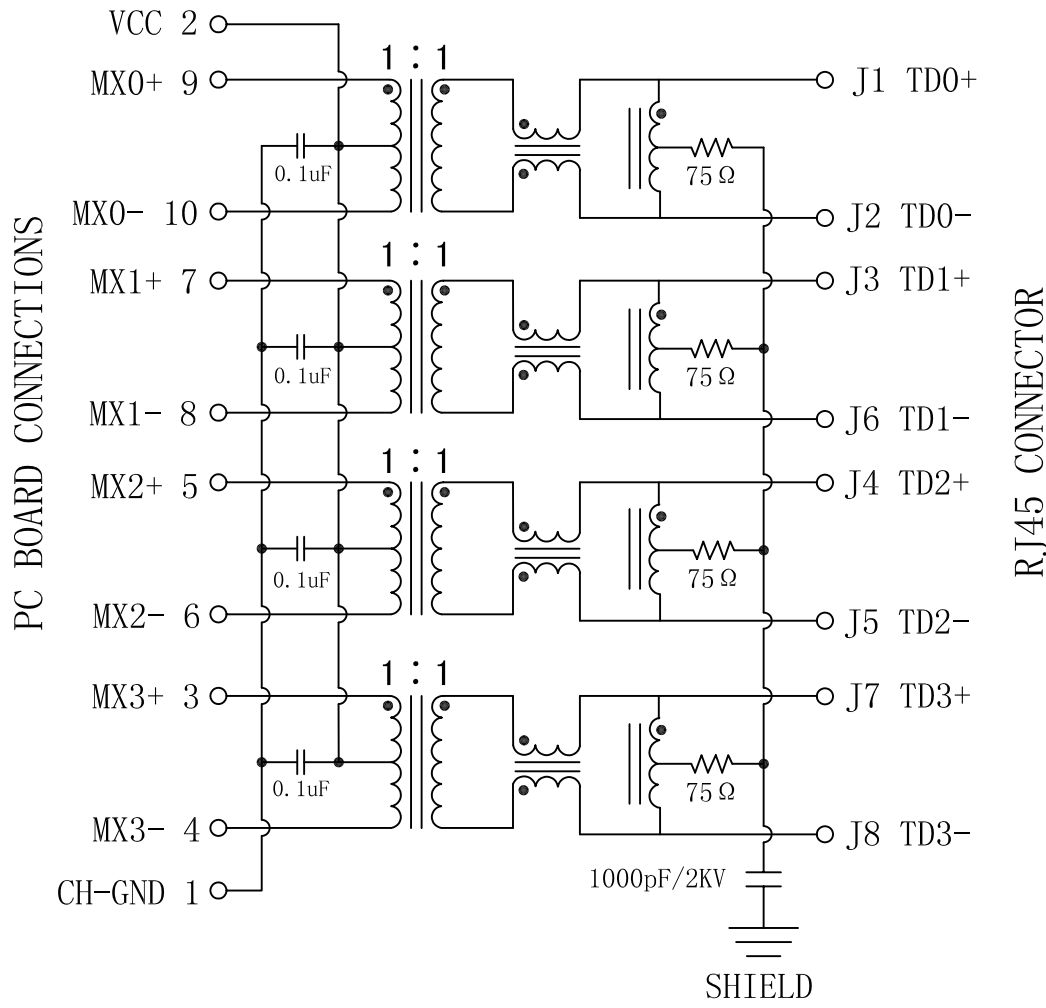
NOTES:

1. Designed to support application, such as SOHO (ADSL modems), LAN-on-Motherboard (LOM), hub and Switches.
2. Meets IEEE 802.3 specification
3. Connector Materials:
Housing: Thermoplastic UL94V-0
Contact/Shield: Copper alloy
Shield plating: Nickel
Contact plating: Gold 6 micro-inches min. In contact area.
4. Wave solder tip temperature: 265°C Max
Wave solder tip temperature time: 5 Sec Max
5. UL Certification: File Number E321120

X:X	±0.20	APPD:	Manufacture
X:XX	±0.10	CHKD:	
X:XXX	±0.05	DR: Mark	<i>Title:</i> RJ45 Connector With 1000 Base-TX Integrated Magnetic
ANGLES	±1°	UNIT: mm	PART NO.: SR163114A4NL-02
	SCALE: 2/1	SHEET: 1/2	REV: A DWG NO.: SR20110423

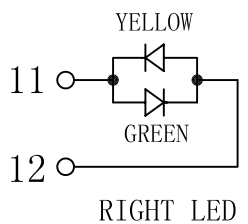
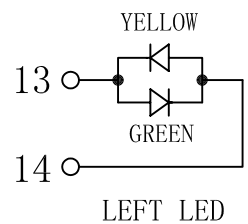
Schematic:

REV.	ECN NO.	DESCRIPTION	DATE	APPD
A	REL		23/04/2011	



Electrical Specifications @25°C

1. Impedance: 100 ohms
2. OCL: 350uH Min
@ 100KHz, 0.1Vrms, 8mADC BIAS
3. Turns Ratio:
TX=1:1 RX=1:1
4. Insertion Loss:
0.5-100MHz: -1.1dB Max
5. Return Loss (dB Min):
0.5-40MHz: -18
40.1-100MHz: $-[12-20\text{LOG}(f/50)]$
6. Crosstalk (dB Min):
0.5-40MHz: -35
40.1-100MHz: $-[33-20\text{LOG}(f/50)]$
7. Common Mode Rejection Ratio:
0.5-100MHz: -30 dB Min
8. Isolation Voltage: 1500V
9. Operating Temperature: 0~70°C



X:X	±0.20	APPD:	Manufacture	
X:XX	±0.10	CHKD:	Hefei Shirui Electronic Technology Co., Ltd	
X:XXX	±0.05	DR: Mark	Title: RJ45 Connector With 1000 Base-TX Integrated Magnetic	
ANGLES	±1°	UNIT: mm	PART NO.: SR163114A4NL-02	
	SCALE: 2/1	SHEET: 2/2	REV: A	DWG NO.: SR20110423