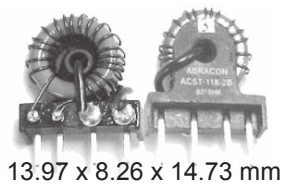


Current Sense Inductor & Transformer

ACST-118



FEATURES:

- FREQUENCY RANGE FROM 200 TO 500 KHz
- 1250 Vrms ISOLATION
- 20Amp PEAK SENSE CURRENT

APPLICATIONS:

- SMPS
- Current Sensing

ELECTRICAL SPECIFICATIONS:

ABRACON P/N: **ACST-118-SERIES**

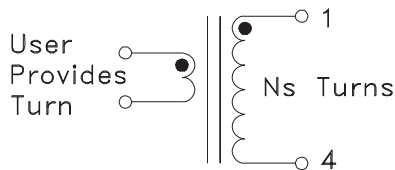
Part number Inductor ACST-118-	Part number Transformer ACST-118-	OCL ¹ μH (Min)	V _s (mV)	Sec Turns (±2%)	Sec DCR Ω (Max)	Pri DCR Ω (Max)	RT ² Ω
1A	1B	150	30	10	0.055	0.006	1.5
2A	2B	600	60	20	0.097	0.006	3.0
3A	3B	4000	160	50	0.240	0.006	7.5

NOTE

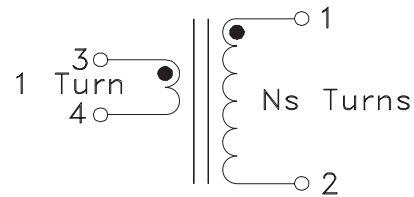
1. Inductance Test: 200KHz/ 200 mV
2. Terminating resistance for 0.15Volt/Amp
3. Hipot: 2000V_{RMS}, Primary to secondary

SCHEMATIC

INDUCTOR

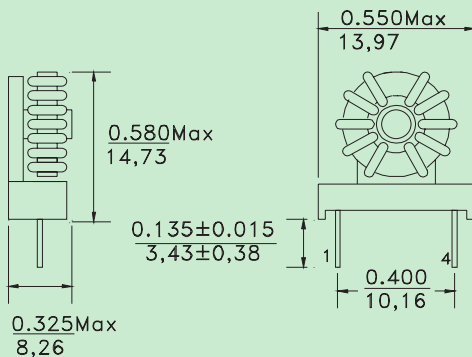


TRANSFORMER

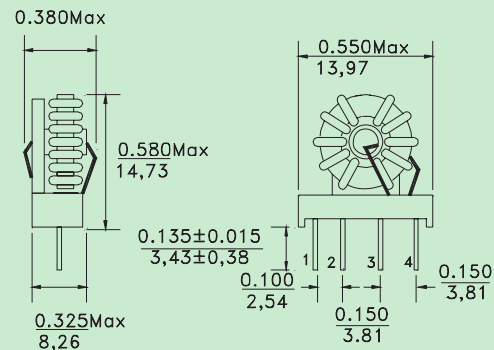


OUTLINE DRAWING

INDUCTOR



TRANSFORMER



Dimension: Inch/mm



HEFEI SHIRUI ELECTRONIC TECHNOLOGY CO.,LTD

sales@shiruitech.com
www.shiruitech.com