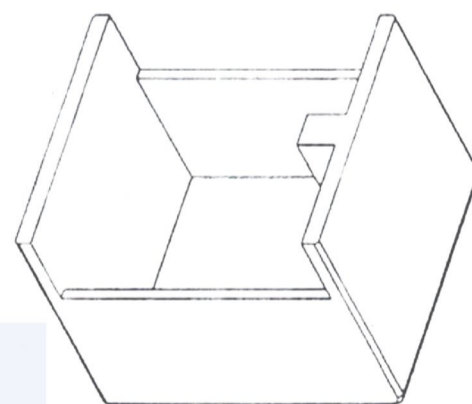
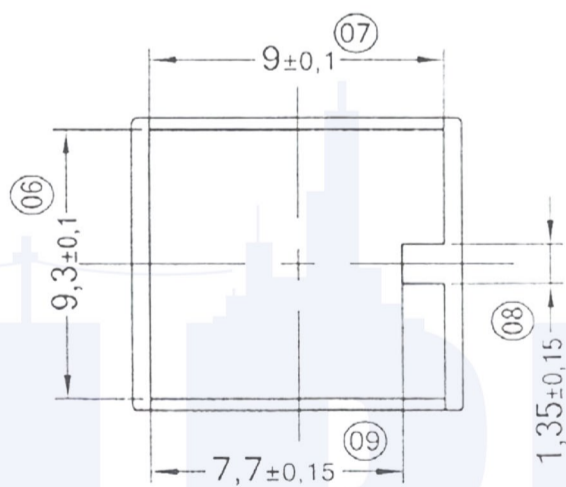
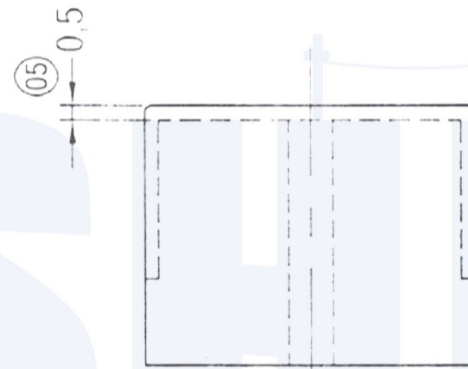
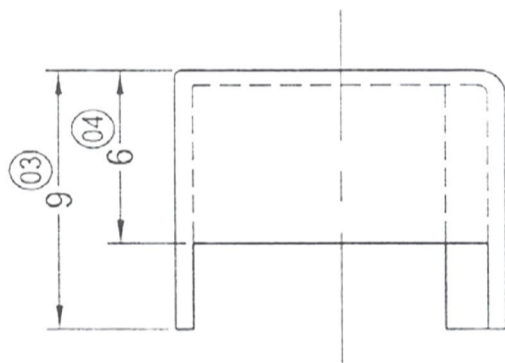
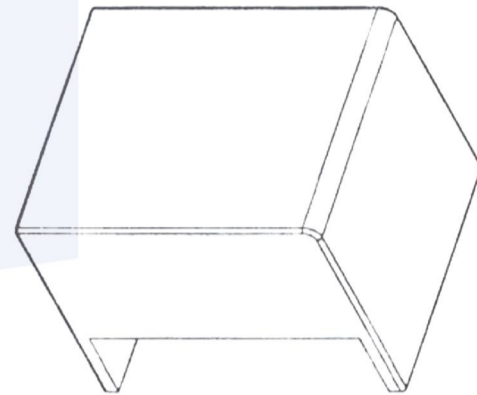
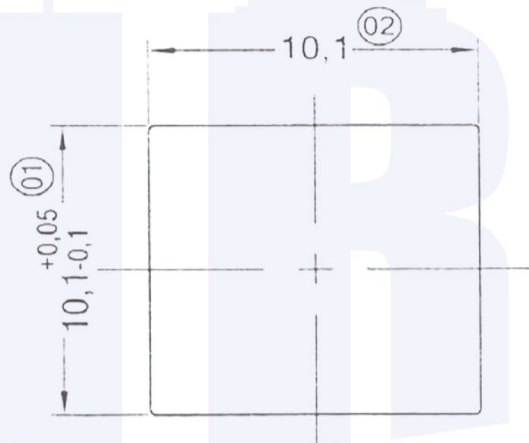



SHIRUI

P/N
SR-EP7 CASE



Hefei Shirui Electronic Technology Co.,Ltd

SR NO. SR-EP7 CASE	MATERIAL: PHENOLIC UL REC: UL 94V-0	UNIT: mm TOLERANCE 0 < L ≤ 4 ±0.10 4 < L ≤ 16 ±0.20 16 < L ≤ 64 ±0.30 PIN PITCH ±0.05	DRN. WILL H
MODEL NAME: EP7 CASE	ANGLE: ± °  SCALE 1:1		CHD. IRINA LEE
			ISSD. JAMES HU