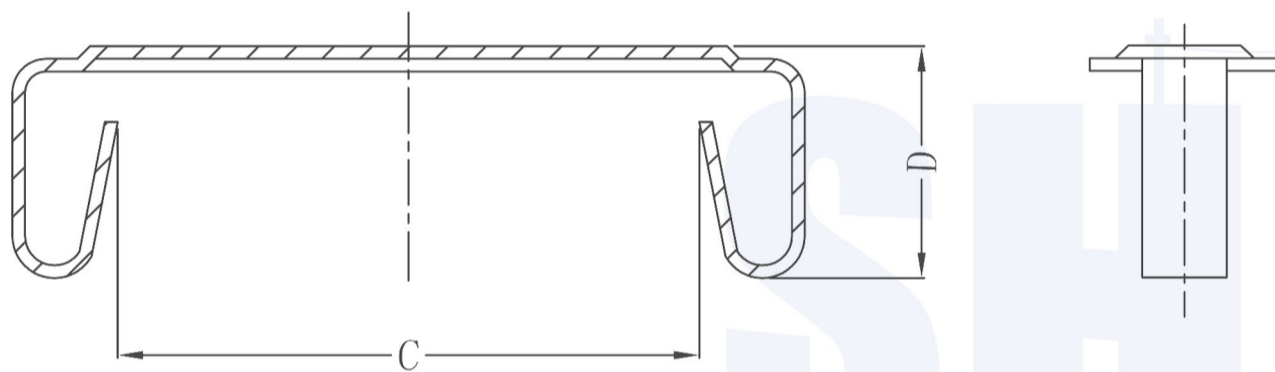
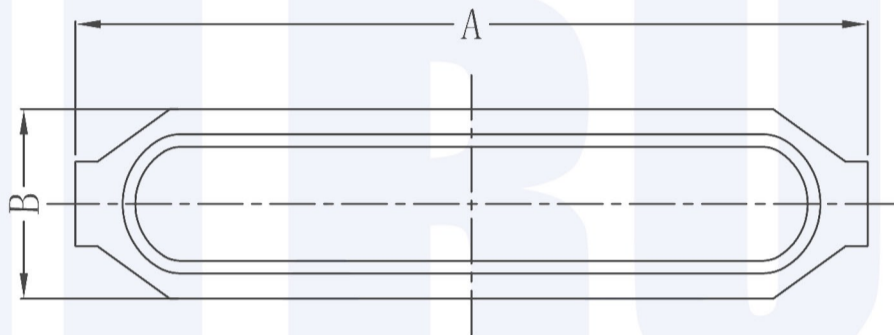


# SHIRUI



P/N \ SIZE	A	B	C	D	THICKNESS
EFD-15	18.80±0.30	4.50±0.20	13.80±0.20	5.50 <sup>+0.00</sup> <sub>-0.20</sub>	0.25T
EFD-20A	24.20±0.20	6.00±0.10	18.50±0.30	5.40±0.20	0.30T
EFD-25	29.00±0.20	8.00±0.20	23.60±0.20	5.50±0.13	0.30T
EFD-30	33.60±0.20	8.00±0.20	28.40±0.20	5.50 <sup>+0.00</sup> <sub>-0.20</sub>	0.30T



**Hefei Shirui Electronic Technology Co.,Ltd**

<b>EFD SERIES</b>	MATERIAL: SUS 301	UNIT: MM	SCALE: 4:1	DRN.	WILL H
	ANGLE: ± ° ⊕ ◁	TOLERANCES: ±0.2		CHD.	IRINA LEE
		SURFACE PROCESS: CLEAN		ISSD.	JAMES HU