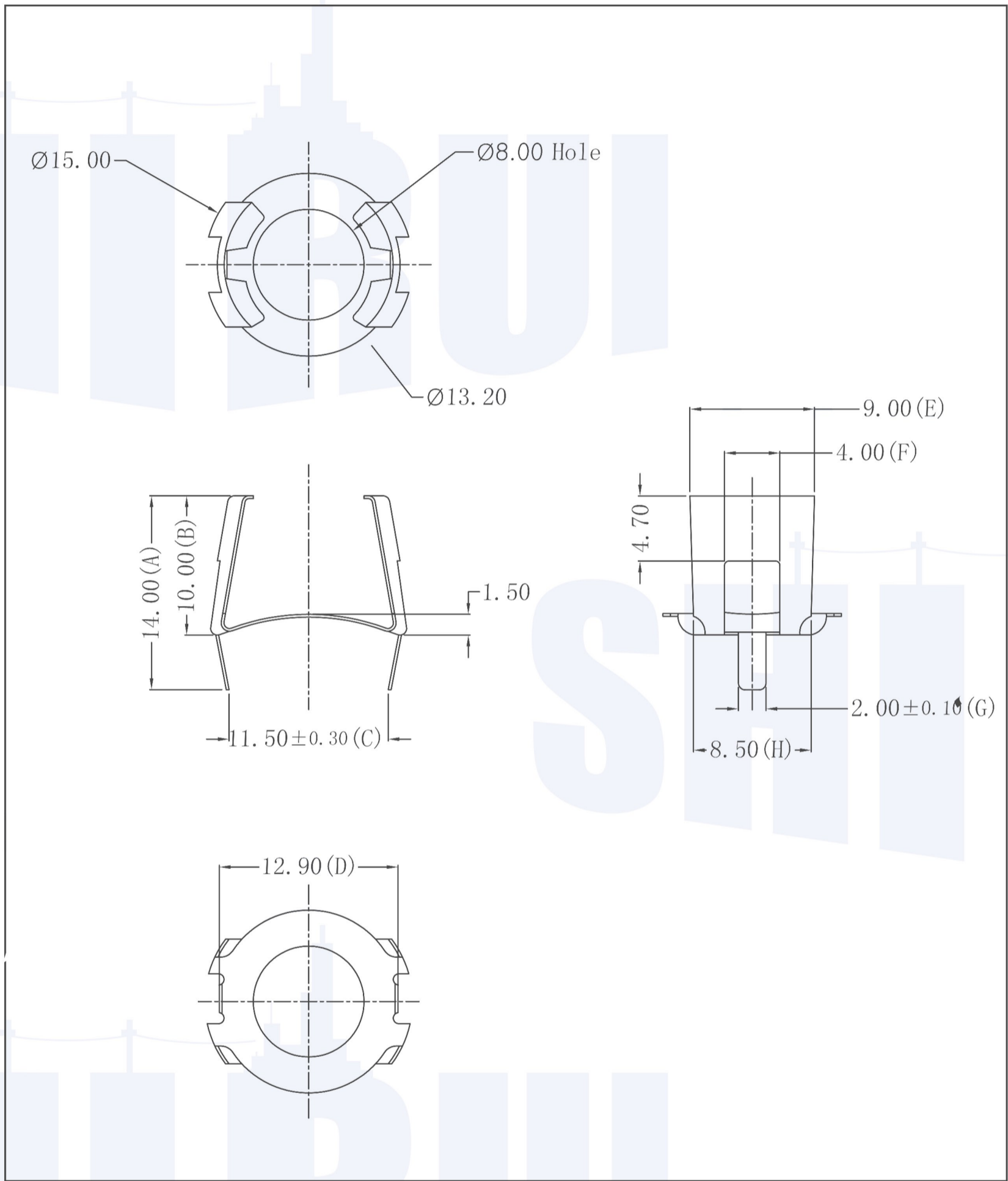


SHIRUI



Hefei Shirui Electronic Technology Co.,Ltd

| | | | | | |
|---------|----------------|-----------------------|--------|-------|-----------|
| PC 1408 | MATERIAL: | UNIT: | SCALE: | DRN. | WILL H |
| | C5191 0.3T | MM | 2:1 | CHD. | IRINA LEE |
| | ANGLE: \pm ° | TOLERANCES: ± 0.2 | | ISSD. | JAMES HU |
| | | SURFACE PROCESS: | | | |
| | | CLEAN | | | |